

Riex NC70 Петля clip on, полу-накладная, 165°, без пружины



Параметры

Brand	Riex
Тип крепежа	Screws on
Набор с монтажной планкой	No
Мягкое закрытие	No
Door Position	Полунакладная
Catalogue Page	2.15
Push for Open	Yes
Zero Protrusion	No

Описание продукта

Riex NC70 Hinge Clip-On, Half Overlay, 165° Upgrade your cabinetry with the Riex NC70 furniture cup hinge, designed for half overlay doors with a wide 165° opening angle, ideal for folding doors in corner cabinets. This hinge offers practical features and robust functionality. Key Features: Wide Opening Angle: 165° opening angle is particularly suitable for folding doors in corner cabinets, providing extensive access to the cabinet interior. Easy Removal: Cast lever clip mechanism enables easy removal from the mounting plate. Precise Adjustment: The hinge frame includes a recessed round eccentric CAM screw with a broad range for fine-tuning the gap between the cabinet and the doors. Steel Damper Option: Choose between hinges with a steel damper, or without a closing spring. Standard Installation: Can be installed with standard screws.

Компоненты

Riex NC50/NC70 Планка к петле clip on, H0, эксцентрик

F000043



Riex NC50/NC70 Планка к петле clip on, H0

F000046



Riex NC50/NC70 Планка к петле clip on, H0, эксцентрик+дюбели

F000050

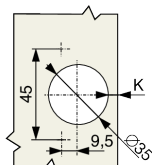
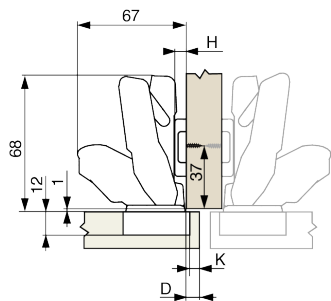


Riex NC50/NC70 Планка к петле clip on, H2, эксцентрик

F000044



2D



	H0	H2	H4
K	D	D	D
4	6	4	2
5	7	5	3
6	8	6	4

