

Riex NC70 Петля clip on, 135°



Параметры

Brand	Riex
Тип крепежа	Screws on
Door Position	Накладная
Набор с монтажной планкой	No
Мягкое закрытие	No
Push for Open	No
Catalogue Page	2.17
Quantity in Box	100

Описание продукта

Riex NC70 Hinge Clip-On, 135°, Without Soft-close Perfect for folded, corner cabinet doors, this Riex furniture angle hinge offers a 135° angle. Designed without a soft-closing mechanism, it provides straightforward functionality and easy installation. Key Features: 135° Angle Design: The door has a 135° angle to the normal hinge when closed, making it ideal for corner cabinets with folding doors. Easy Attachment: Equipped with a clip mechanism for straightforward attachment to the mounting plate. No Soft-Closing: This model does not include a soft-closing feature, offering a straightforward hinge solution.

Аксессуары

Riex NC50/NC70 Заглушка для чашки петли
F000053



Компоненты

Riex NC50/NC70 Планка к петле clip on, H0, эксцентрик
F000043



Riex NC50/NC70 Планка к петле clip on, H0
F000046



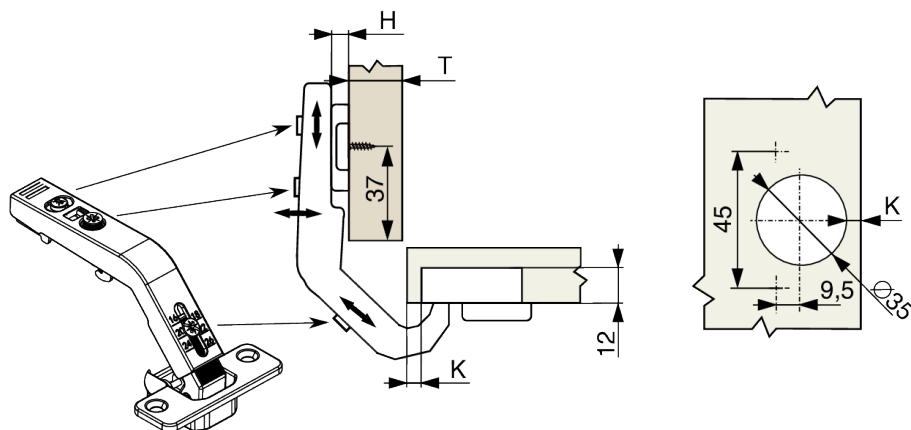
Riex NC50/NC70 Планка к петле clip on, H0, эксцентрик+дюбели
F000050



Riex NC50/NC70 Планка к петле clip on, H2, эксцентрик
F000044



2D-drawing



T	H
$18 \leq T < 22$	H0
$T < 18$	H2

