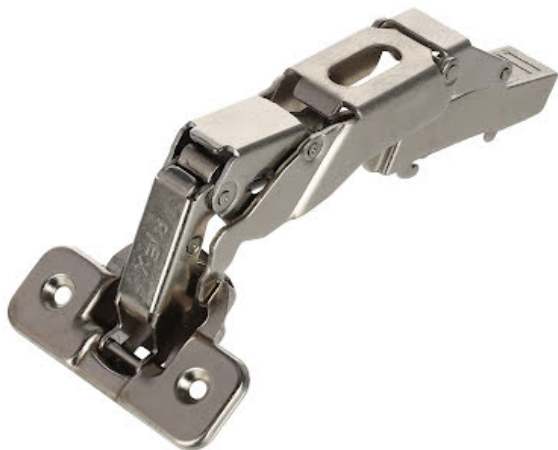


## Riex NC40 Петля clip on, полу-накладная, 155°, с доводчиком



### Параметры

Brand	Riex
Catalogue Page	2.24
Тип крепежа	Screws on
Набор с монтажной планкой	No
Мгкое закрывание	Yes
Push for Open	No
Door Position	Полунакладная
Zero Protrusion	No
Quantity in Box	100

### Описание продукта

Riex NC40 Hinge Clip-On, Half Overlay, 155° Enhance your cabinetry with this reliable furniture cup hinge, designed for half overlay doors with a generous 155° opening angle. It offers both convenience and precision, making it a great choice for various cabinet applications. Key Features: Soft-Closing Mechanism: The hinge includes a steel damper in a plastic case, ensuring smooth and quiet closing. Easy Detachment: Features a lever-shaped clip mechanism for effortless removal from the mounting plate. Precision Adjustment: The hinge arm is equipped with a CAM screw for easy and precise adjustment of the gap between the cabinet and the door. Standard Screw Installation: Can be installed using standard screws, providing a secure and straightforward setup.

### Компоненты

**Riex NC40 Планка к петле clip on, H0, эксцентрик**  
F000093



**Riex NC40 Планка к петле clip on, H0**  
F000096



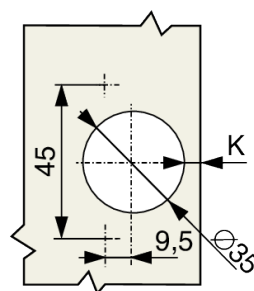
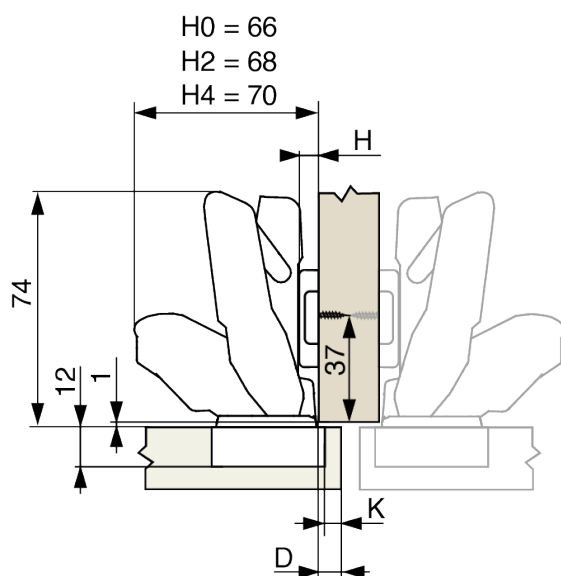
**Riex NC40 Планка к петле clip on, H2, эксцентрик**  
F000094



**Riex NC40 Планка к петле clip on, H2**  
F000097



2D



	H0	H2	H4
K	D	D	D
3	5	3	1
4	6	4	2
5	7	5	3
6	8	6	4
7	9	7	5