

Riex NC40 Петля clip on, 45°, с доводчиком



Параметры

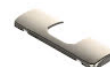
Brand	Riex
Тип крепежа	Screws on
Door Position	Накладная
Набор с монтажной планкой	No
Мягкое закрытие	Yes
Push for Open	No
Catalogue Page	2.26
Quantity in Box	250

Описание продукта

Riex NC40 Hinge Clip-On, 45° Enhance your cabinetry with the Riex Furniture Angle Cup Hinge, designed with a 45° angle. Perfect for various corner cabinets, this hinge ensures ease of use and precise adjustments. Key Features: Easy Detachment: Lever-shaped clip mechanism allows for quick and easy removal from the mounting plate. Precision Adjustment: The hinge arm features a CAM screw for accurate adjustment of the gap between the cabinet and the door. With or without Soft-Closing Damper: Can be equipped with a new steel, plastic-cased damper, that provides smooth and quiet soft closing. 45° Angle: The door closes at a 45° angle to the normal hinge, making it ideal for various corner cabinets. Standard Screw Installation: Easily installed using standard screws for a secure and straightforward setup.

Аксессуары

Riex NC40 Заглушка на чашку петли
F000102



Компоненты

Riex NC40 Планка к петле clip on, H0, эксцентрик
F000093



Riex NC40 Планка к петле clip on, H0
F000096



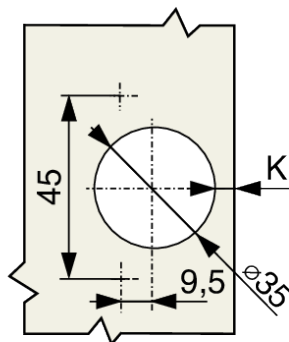
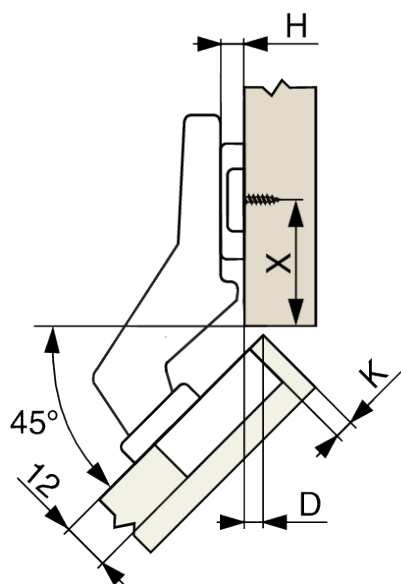
Riex NC40 Планка к петле clip on, H0 + e\шуруп
F000099



Ріех NC40 Планка к петле, сір оп, Н0, 4 отв.
F000100



2D



		H1	H2	H4
K	X	D	D	D
4	37	4	2	0
5	36	5	3	1
6	35	6	4	2
7	37	7	5	3