

Riex NC40 Петля clip on, 30°



Параметры

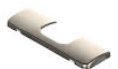
Brand	Riex
Тип крепежа	Screws on
Door Position	Накладная
Набор с монтажной планкой	No
Мягкое закрывание	No
Push for Open	No
Catalogue Page	2.25
Quantity in Box	250

Описание продукта

Riex NC40 Hinge Clip-On, 30° Optimize your cabinetry with the Riex Furniture Angle Cup Hinge, featuring a 30° angle. Perfect for various types of corner cabinets, this hinge combines ease of use with precision adjustment. Key Features: Easy Detachment: Lever-shaped clip mechanism for effortless removal from the mounting plate. Precision Adjustment: Includes a CAM screw in the hinge arm for precise gap adjustment between the body and the door. With or without Soft-Closing Damper: Can be equipped with a new steel plastic-cased damper that ensures smooth and quiet soft closing. 30° Angle: The door closes at a 30° angle to the normal hinge, making it ideal for various corner cabinets. Standard Screw Installation: Easily installed using standard screws for a secure and straightforward setup.

Аксессуары

Riex NC40 Заглушка на чашку петли
F000102



Компоненты

Riex NC40 Планка к петле clip on, H0, эксцентрик
F000093



Riex NC40 Планка к петле clip on, H0
F000096



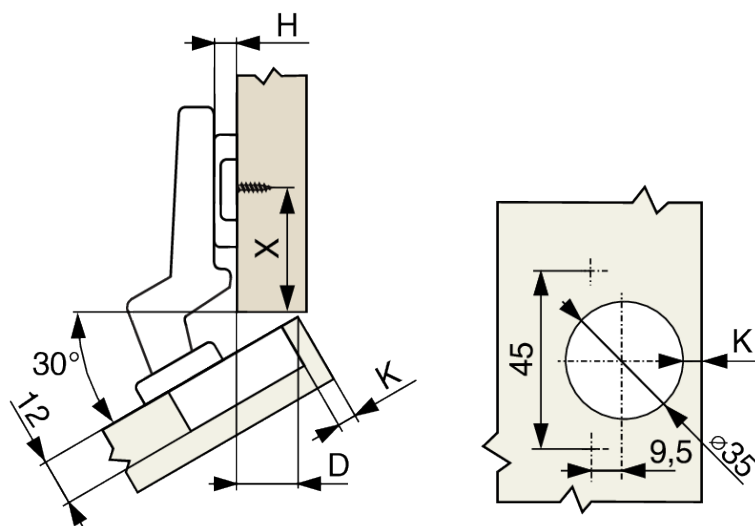
Riex NC40 Планка к петле clip on, H0 + е\шуруп
F000099



Riex NC40 Планка к петле, clip on, H0, 4 отв.
F000100



2D



		H0	H2	H4
K	X	D	D	D
4	37	2	0	-2
5	36	3	1	-1
6	35	4	2	0
7	34	5	3	1