

Riex NC40 Петля clip on, 135°



Параметры

Brand	Riex
Тип крепежа	Screws on
Door Position	Накладная
Набор с монтажной планкой	No
Мгкое закрывание	No
Push for Open	No
Quantity in Box	250
Catalogue Page	2.27

Описание продукта

Riex NC40 Hinge Clip-On, 135°, Without Cam, Without Soft-close Ideal for folded, corner cabinet doors, this furniture angle hinge offers a 135° angle when closed. Designed for practicality, it provides easy installation and precise adjustments. Key Features: Easy Attachment: Equipped with a clip mechanism for straightforward attachment to the mounting pad. 135° Angle: The door closes at a 135° angle to the normal hinge, perfect for folded, corner cabinet doors. Adjustable Gap: Option to adjust the gap between door wings based on the thickness of materials. Standard Screw Installation: Can be installed with standard screws, ensuring secure and stable mounting.

Аксессуары

Riex NC40 Заглушка на чашку петли
F000102



Компоненты

Riex NC40 Планка к петле clip on, H0, эксцентрик
F000093



Riex NC40 Планка к петле clip on, H0
F000096



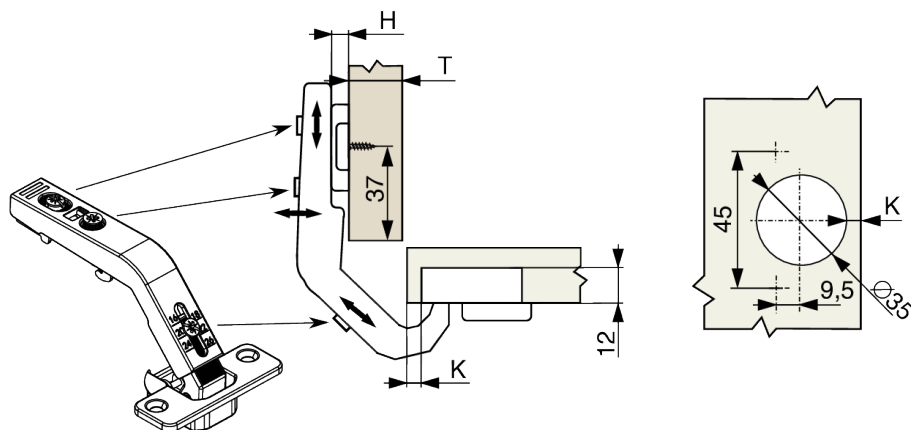
Riex NC40 Планка к петле clip on, H0 + e\шуруп
F000099



Ріех NC40 Планка к петле, сір оп, Н0, 4 отв.
F000100



2D-drawing



T	H
$18 \leq T < 22$	H0
$T < 18$	H2

