

LINEA

5920UAI050L51-10

EAN 4031582437638

Swivel castor, housing made of Polyamide, with blind hole fitting. Wheel centre made of Polyamide, Tread: Polyurethane, plain bearing



BETTER MOBILITY. BETTER LIFE.



Picture may differ from original product

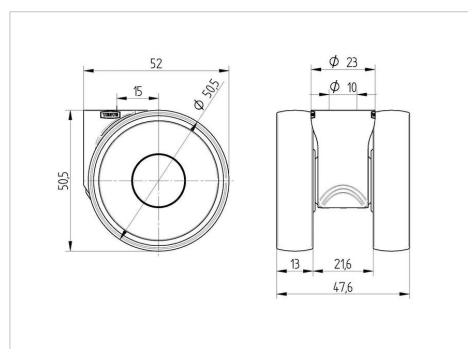
Technical Data

Wheel diameter	50 mm
Wheel width	13 mm
Castor width	47.6 mm
Centre hole	10 mm
Dome-Ø	23 mm
Offset	15 mm
Swivel Interference	92 mm
Overall height	50.5 mm
Temperature	-10/+40 °C
Standard	EN_12528
Weight	0.06 kg
Swivel Radius	46 mm
Hardness of tread	Shore 92ShA
Load capacity	50 kg
Load capacity (static)	100 kg

Advantages at a glance

Roll performance	● ● ● ○ ○
Movement noise	● ● ● ○ ○
Attrition	● ● ● ○ ○
Corrosion resistance	● ● ● ○ ○

Dimensions



Structure & Mounting

