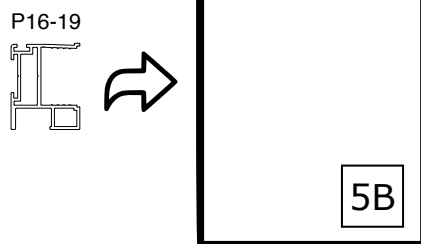
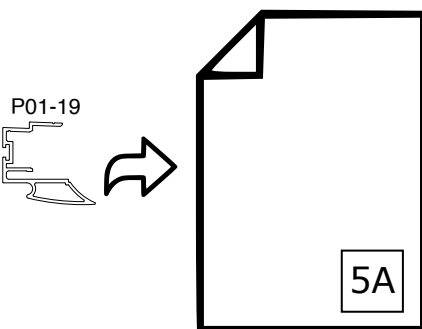
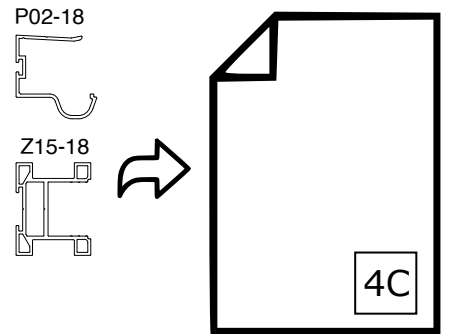
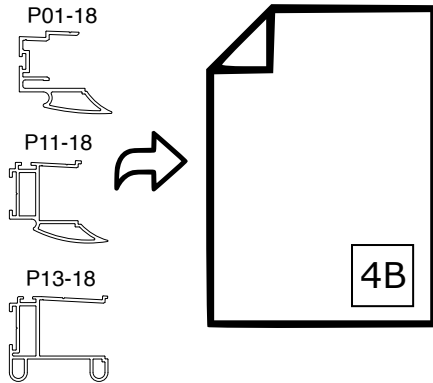
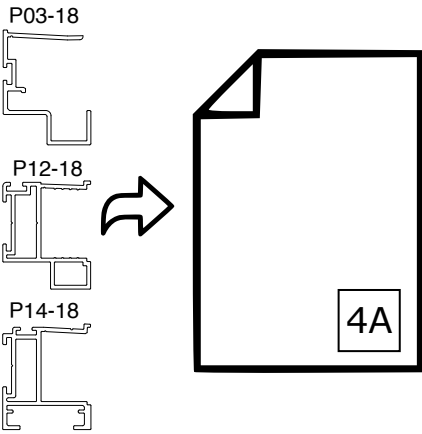
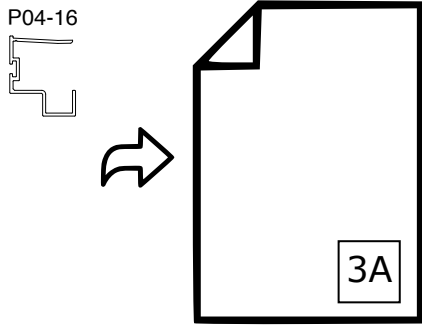
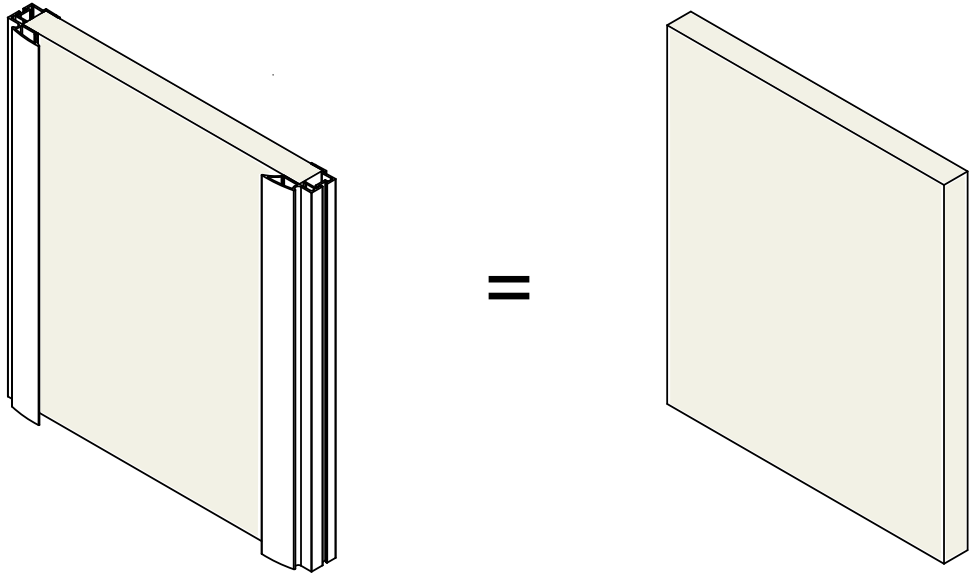
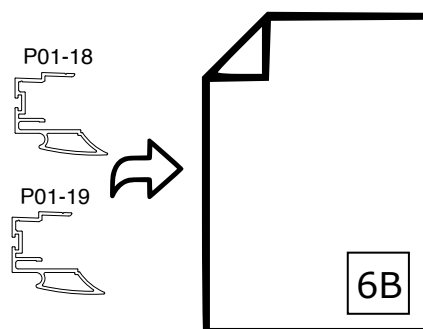
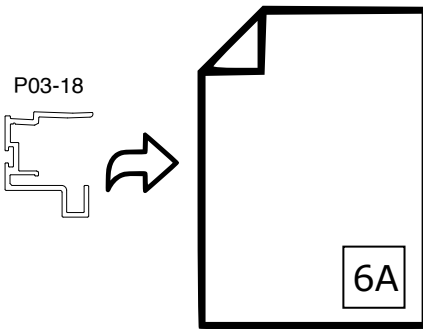
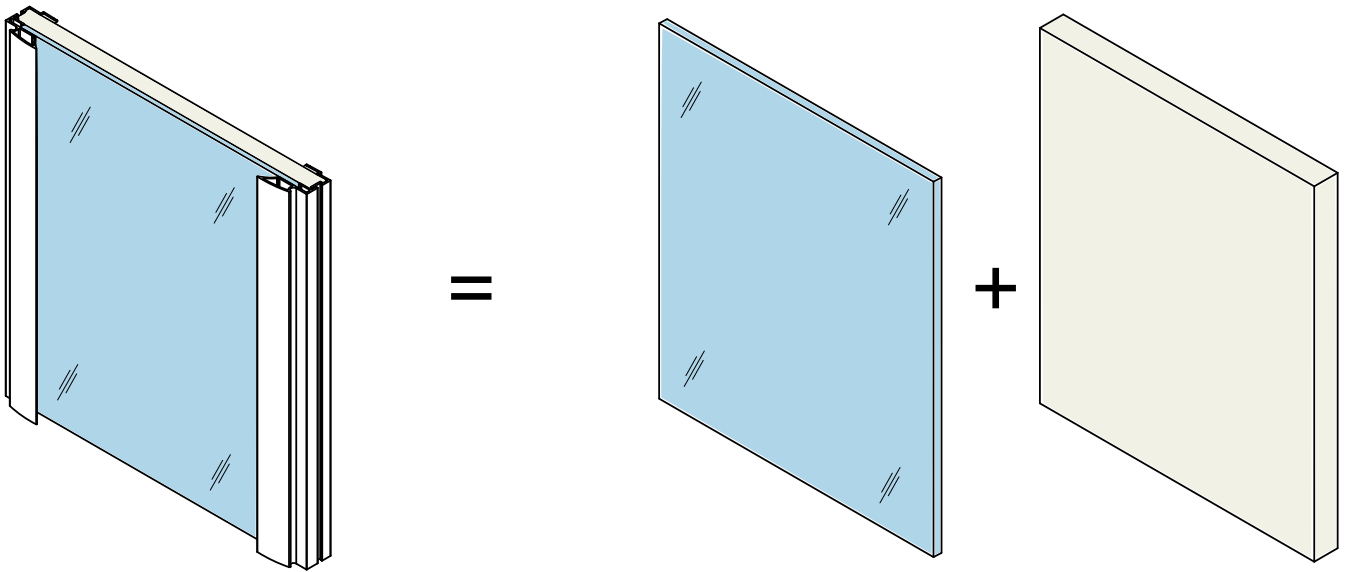


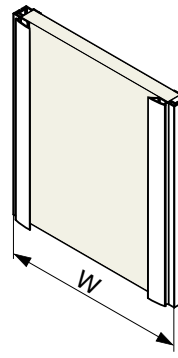
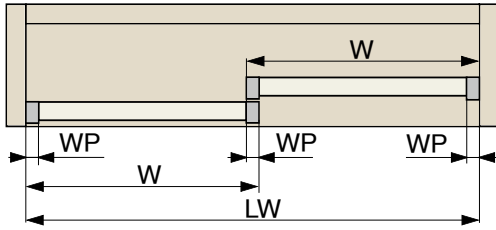
RiEx



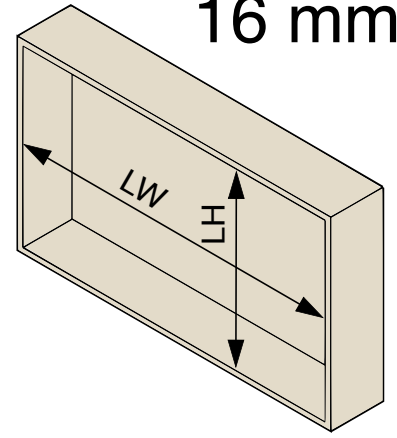


R₁EX

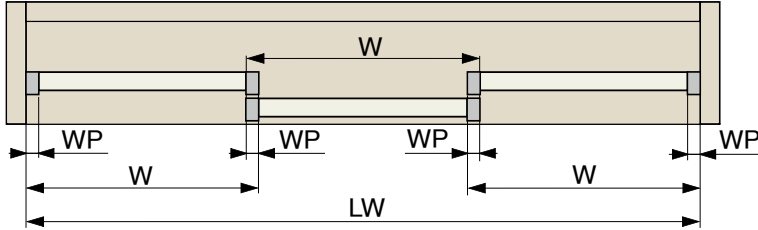
$$W = (LW + WP)/2$$



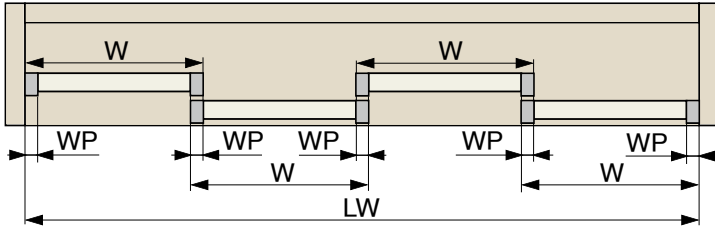
16 mm



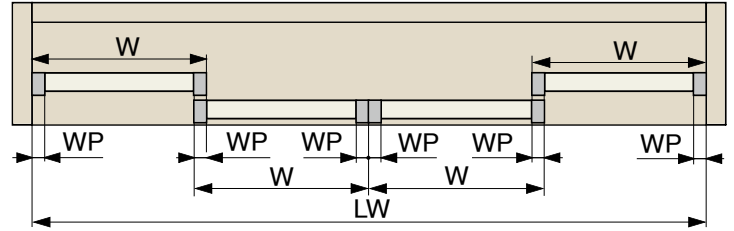
$$W = (LW + 2 \times WP)/3$$



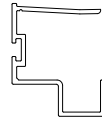
$$W = (LW + 3 \times WP)/4$$



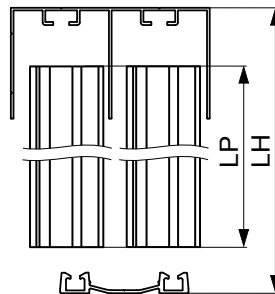
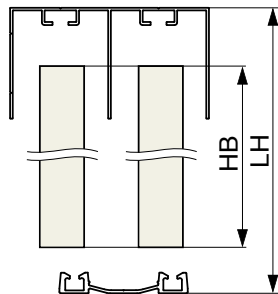
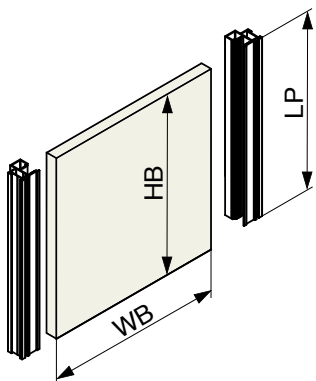
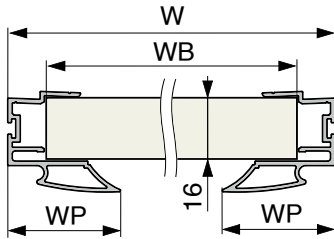
$$W = (LW + 2 \times WP)/4$$



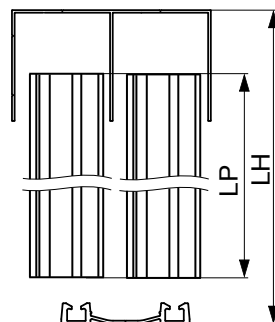
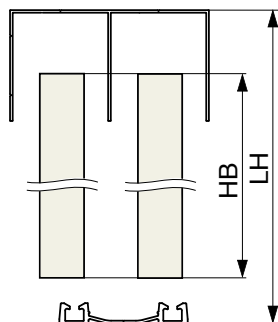
P04-16



WP = 23
WB = W - 7



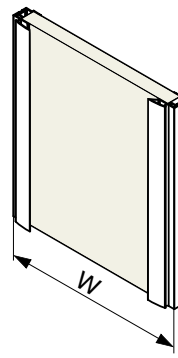
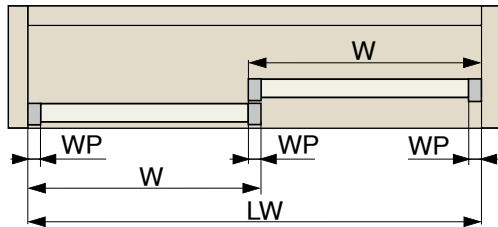
LP = LH - 51
HB = LH - 51



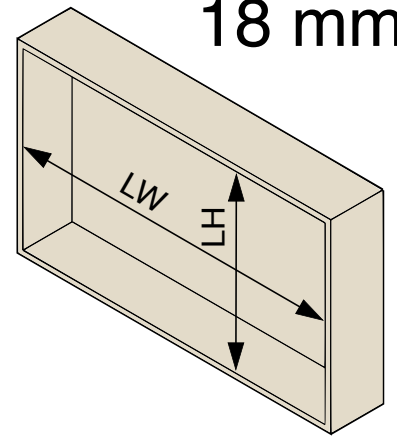
LP = LH - 46
HB = LH - 46

R₁Ex

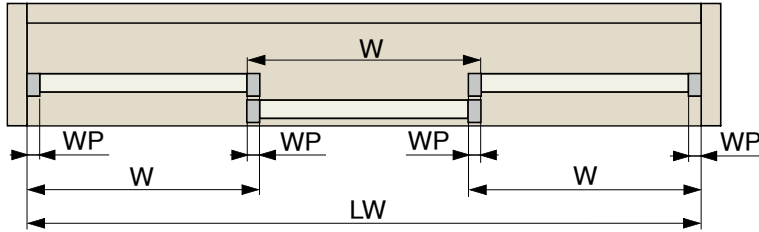
$$W = (LW + WP)/2$$



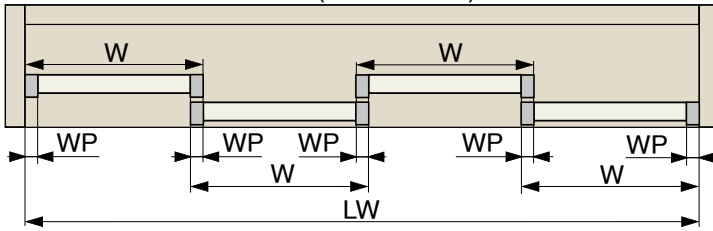
18 mm



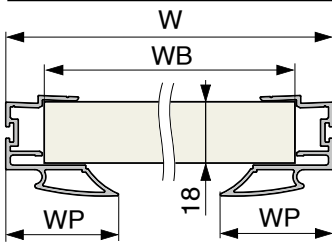
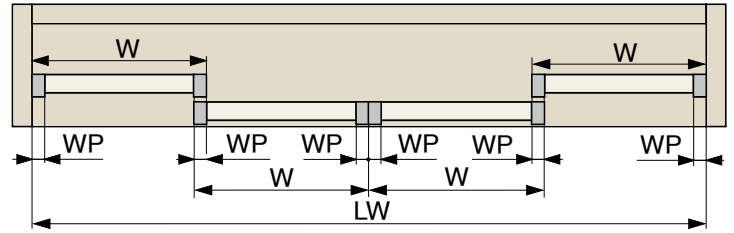
$$W = (LW + 2 \times WP)/3$$



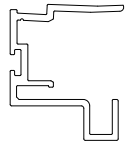
$$W = (LW + 3 \times WP)/4$$



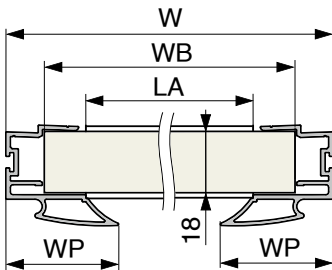
$$W = (LW + 2 \times WP)/4$$



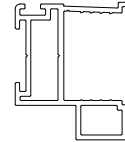
P03-18



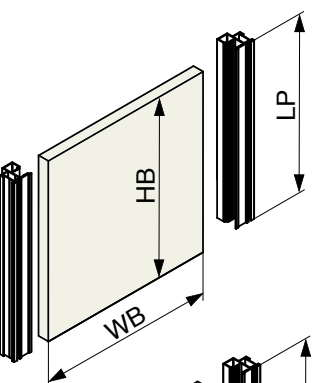
$$\begin{aligned} WP &= 23 \\ WB &= W - 18 \\ LA &= W - 44 \end{aligned}$$



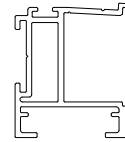
P12-18



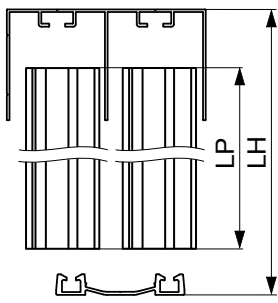
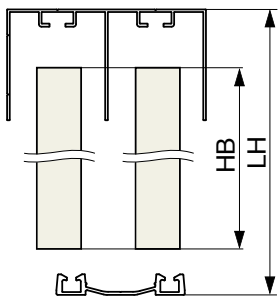
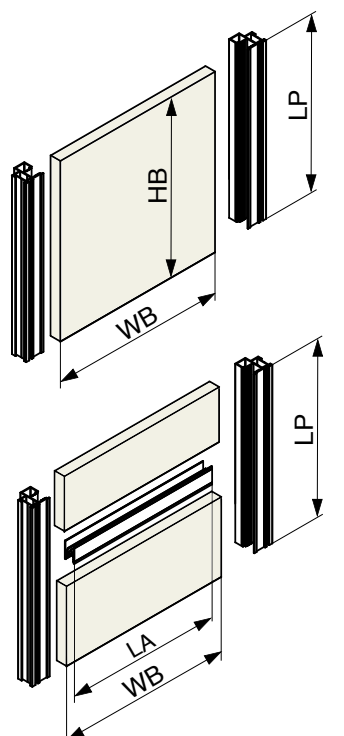
$$\begin{aligned} WP &= 23 \\ WB &= W - 21 \\ LA &= W - 44 \end{aligned}$$



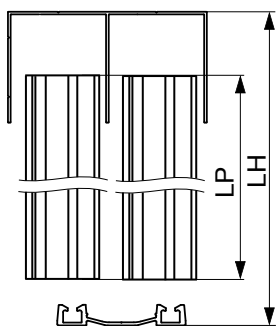
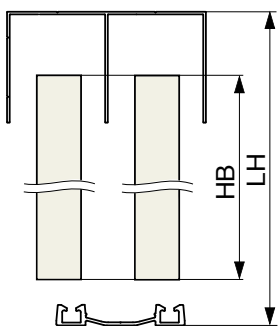
P14-18



$$\begin{aligned} WP &= 23 \\ WB &= W - 21 \\ LA &= W - 45 \end{aligned}$$



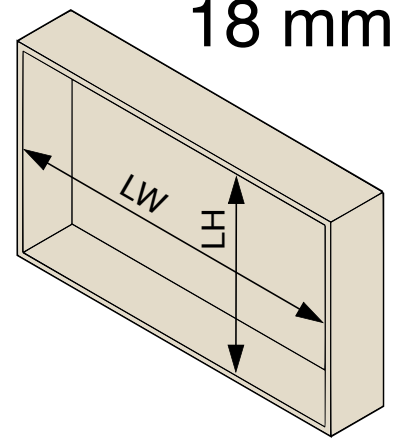
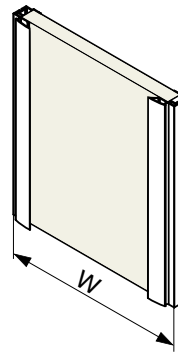
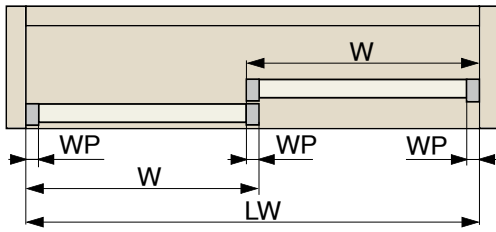
$$\begin{aligned} LP &= LH - 51 \\ HB &= LH - 51 \end{aligned}$$



$$\begin{aligned} LP &= LH - 46 \\ HB &= LH - 46 \end{aligned}$$

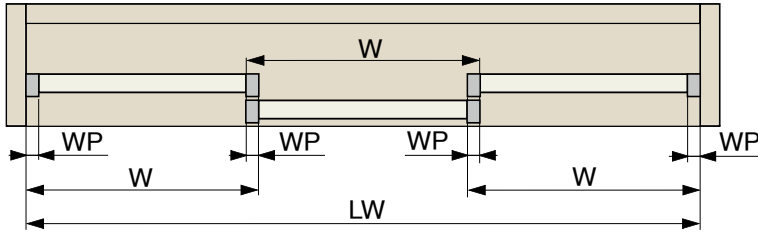
R₁EX

$$W = (LW + WP)/2$$

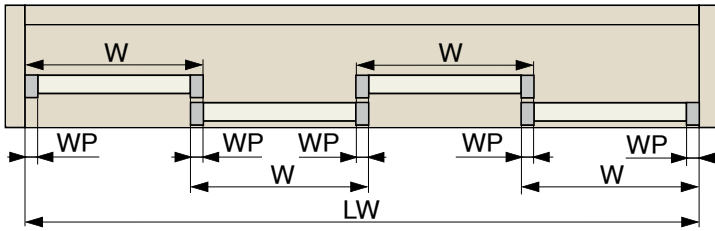


18 mm

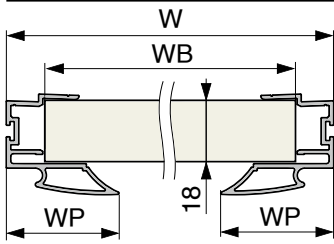
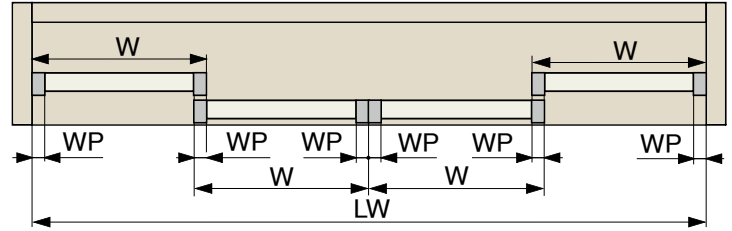
$$W = (LW + 2 \times WP)/3$$



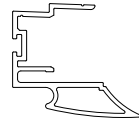
$$W = (LW + 3 \times WP)/4$$



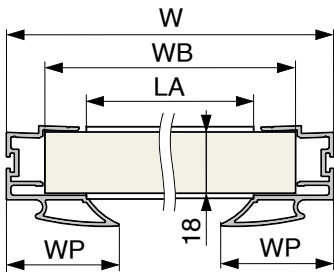
$$W = (LW + 2 \times WP)/4$$



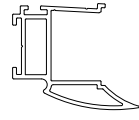
P01-18



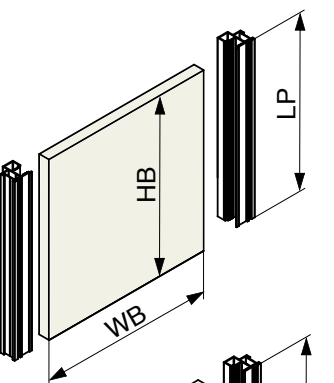
$$\begin{aligned} WP &= 32 \\ WB &= W - 21 \\ LA &= W - 45 \end{aligned}$$



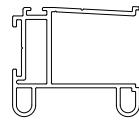
P11-18



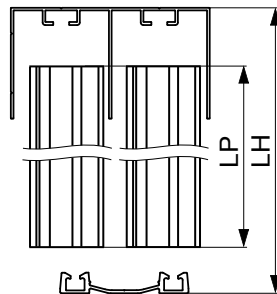
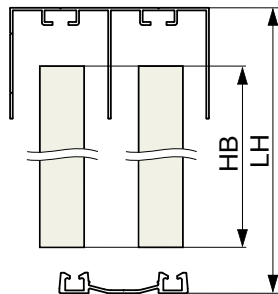
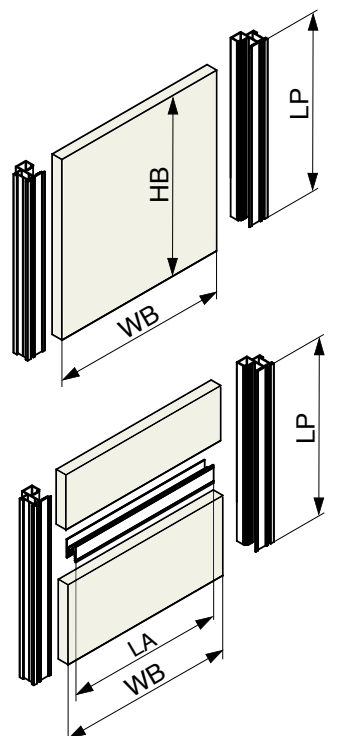
$$\begin{aligned} WP &= 32 \\ WB &= W - 21 \\ LA &= W - 46 \end{aligned}$$



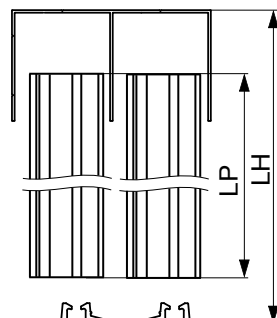
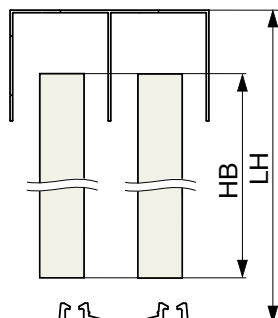
P13-18



$$\begin{aligned} WP &= 32 \\ WB &= W - 21 \\ LA &= W - 64 \end{aligned}$$



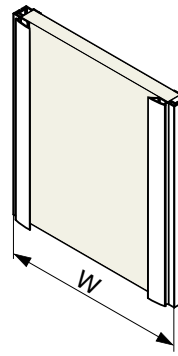
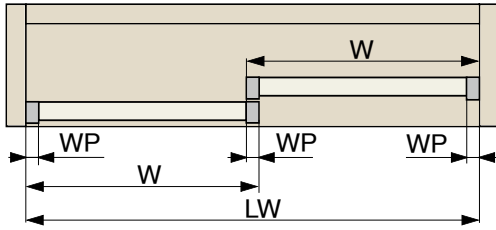
$$\begin{aligned} LP &= LH - 51 \\ HB &= LH - 51 \end{aligned}$$



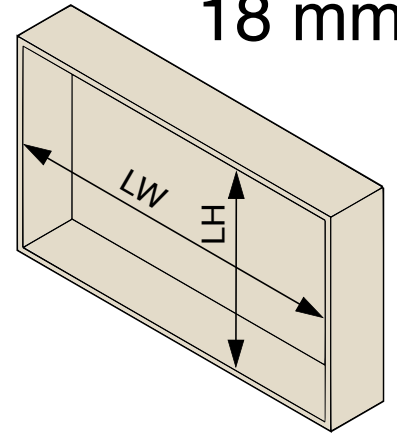
$$\begin{aligned} LP &= LH - 46 \\ HB &= LH - 46 \end{aligned}$$

R₁EX

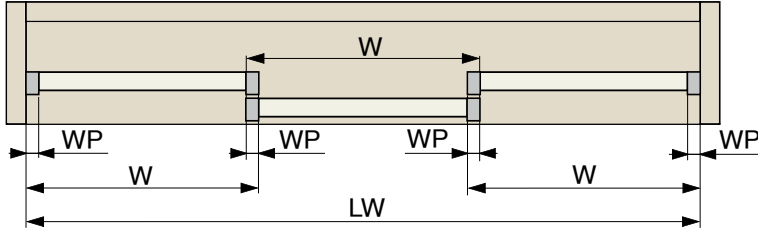
$$W = (LW + WP)/2$$



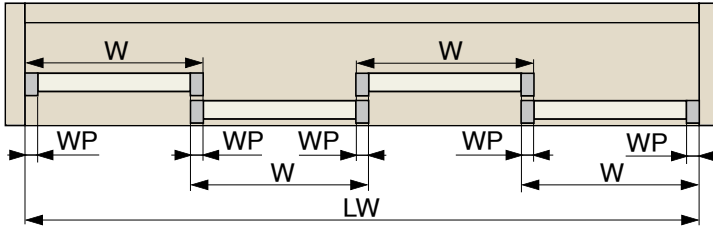
18 mm



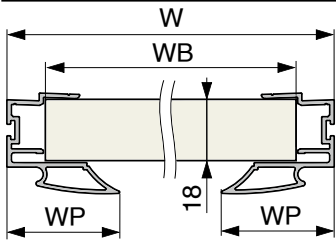
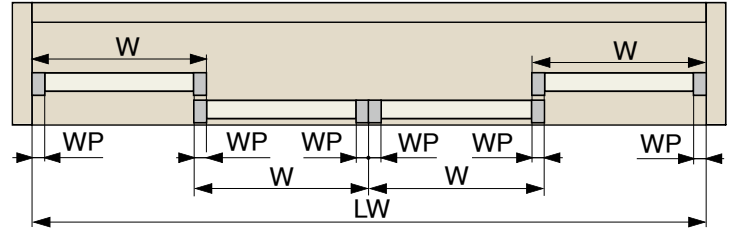
$$W = (LW + 2 \times WP)/3$$



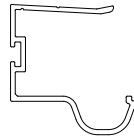
$$W = (LW + 3 \times WP)/4$$



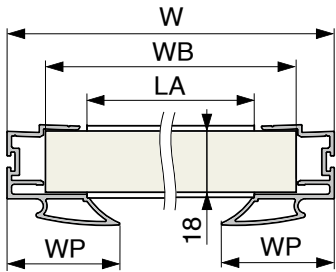
$$W = (LW + 2 \times WP)/4$$



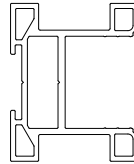
P02-18



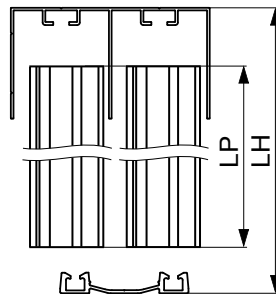
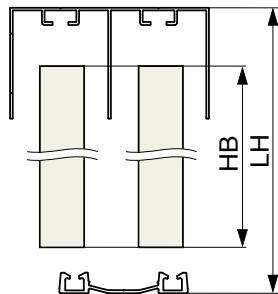
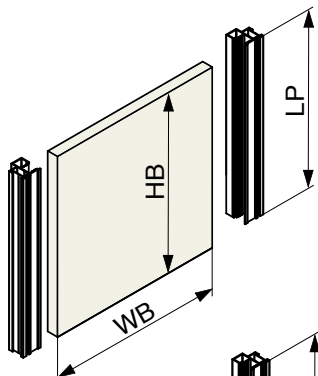
$$\begin{aligned} WP &= 26 \\ WB &= W - 7 \\ LA &= W - 53 \end{aligned}$$



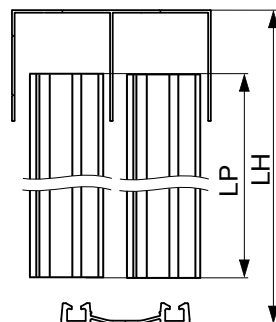
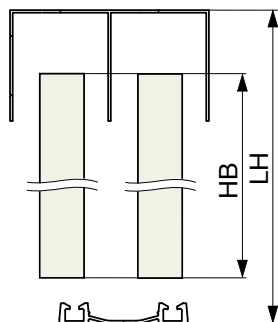
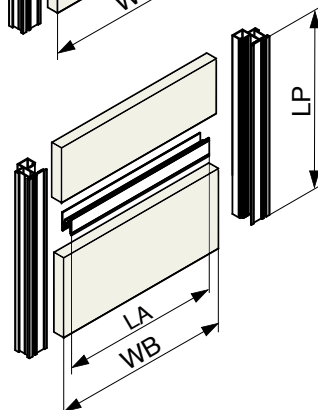
Z15-18



$$\begin{aligned} WP &= 26 \\ WB &= W - 23 \\ LA &= W - 49 \end{aligned}$$



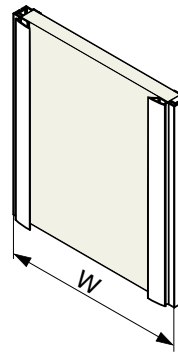
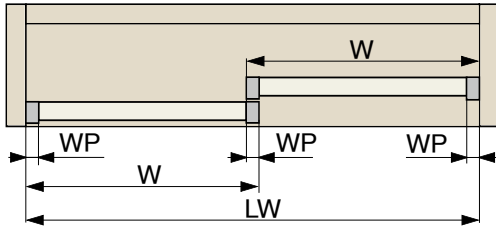
$$\begin{aligned} LP &= LH - 51 \\ HB &= LH - 51 \end{aligned}$$



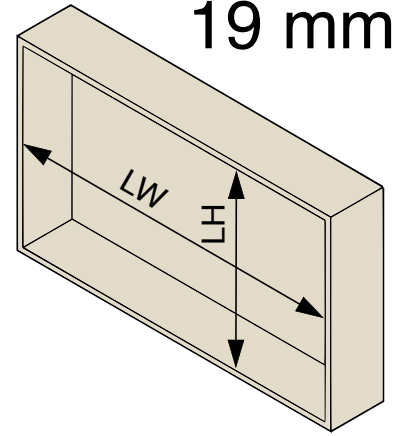
$$\begin{aligned} LP &= LH - 46 \\ HB &= LH - 46 \end{aligned}$$

R₁Ex

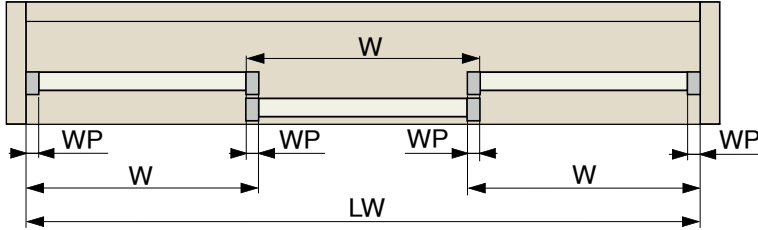
$$W = (LW + WP)/2$$



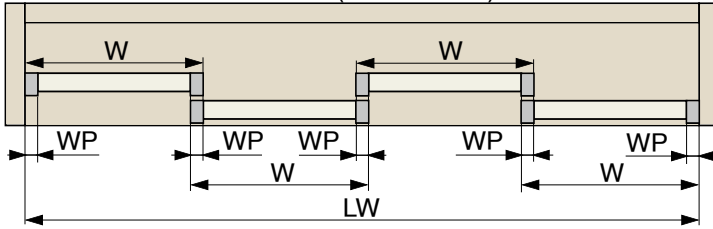
19 mm



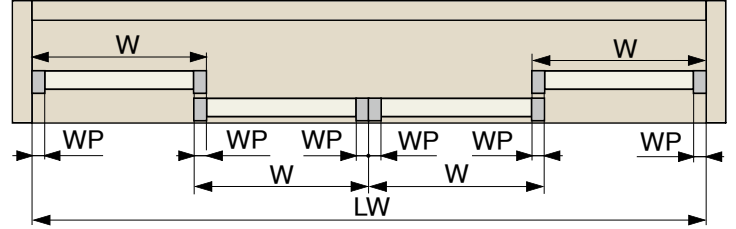
$$W = (LW + 2 \times WP)/3$$



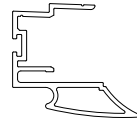
$$W = (LW + 3 \times WP)/4$$



$$W = (LW + 2 \times WP)/4$$

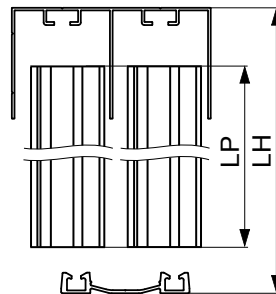
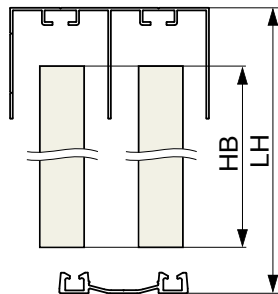
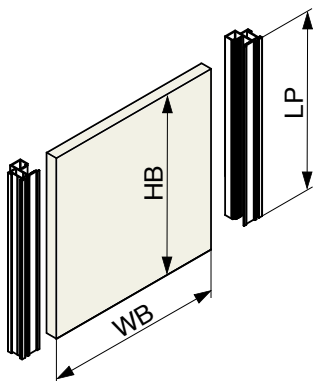
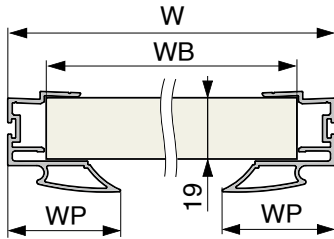


P01-19



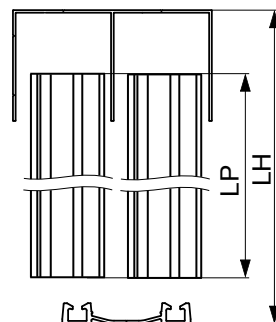
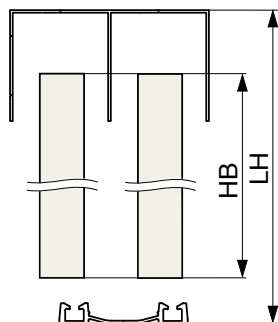
$$WP = 32$$

$$WB = W - 21$$



$$LP = LH - 51$$

$$HB = LH - 51$$

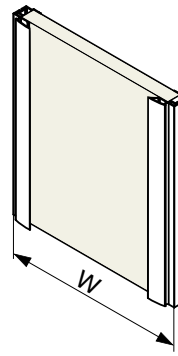
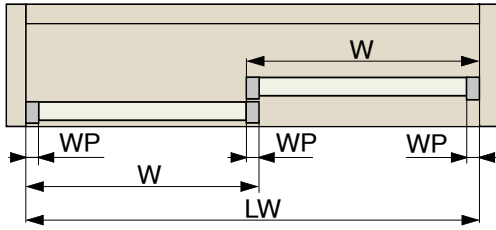


$$LP = LH - 46$$

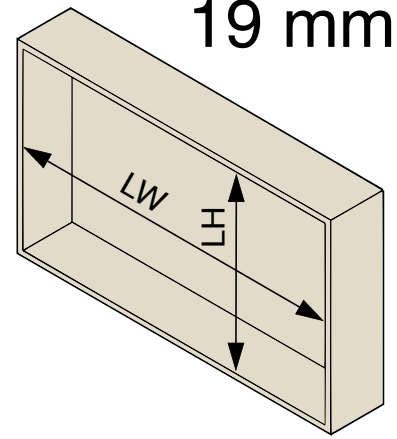
$$HB = LH - 46$$

R₁EX

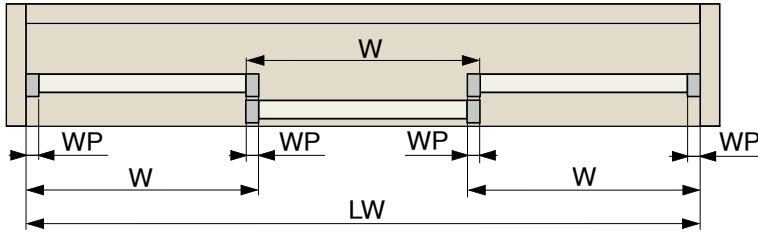
$$W = (LW + WP)/2$$



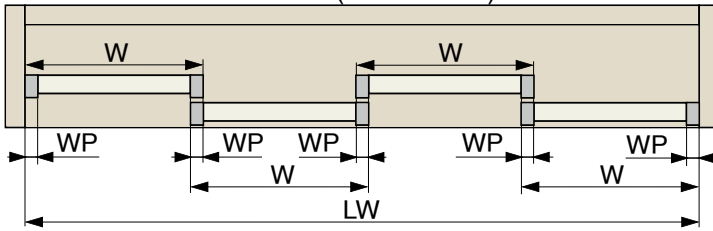
19 mm



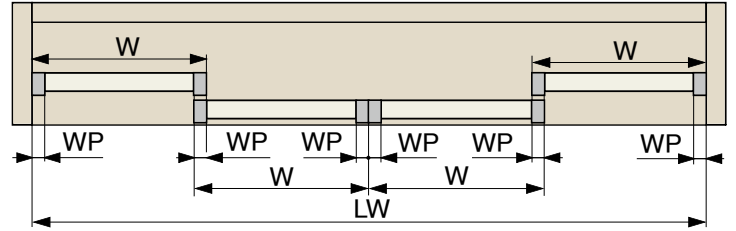
$$W = (LW + 2 \times WP)/3$$



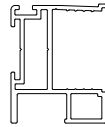
$$W = (LW + 3 \times WP)/4$$



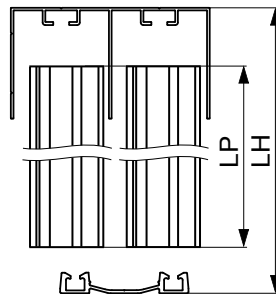
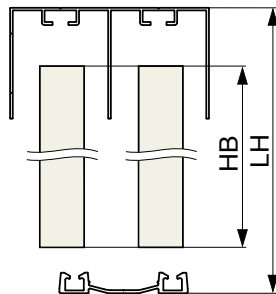
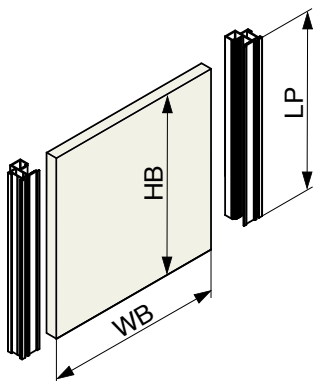
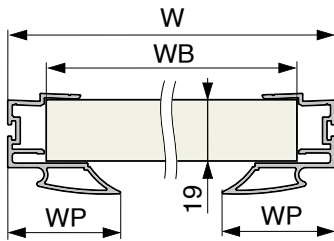
$$W = (LW + 2 \times WP)/4$$



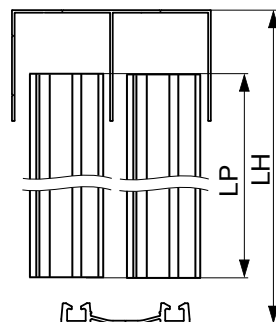
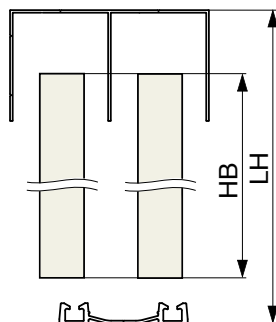
P16-19



WP = 23
WB = W - 21



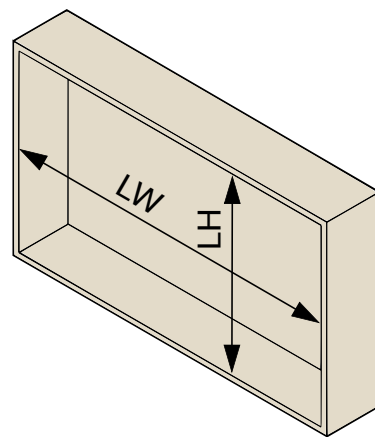
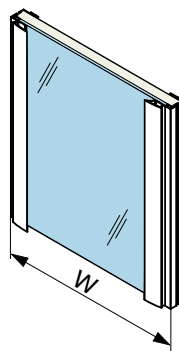
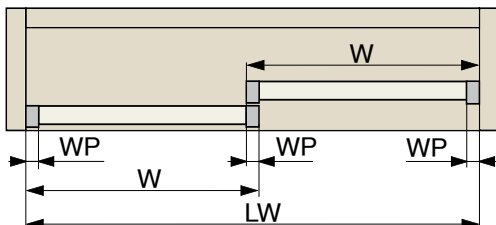
LP = LH - 51
HB = LH - 51



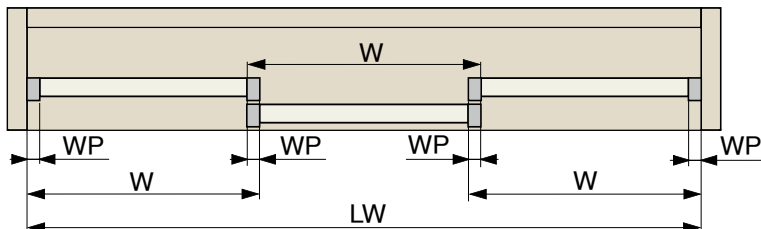
LP = LH - 46
HB = LH - 46

R₁Ex

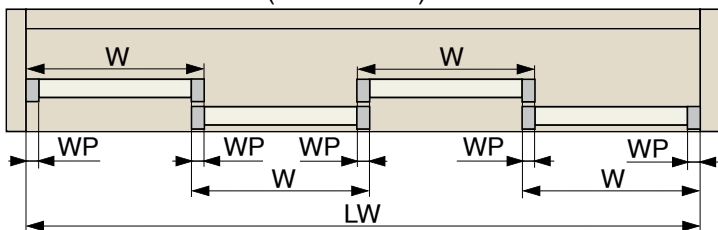
$$W = (LW + WP)/2$$



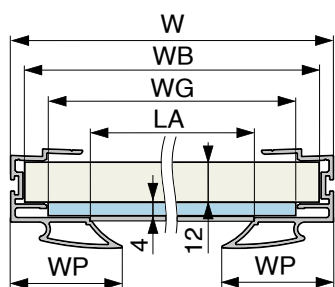
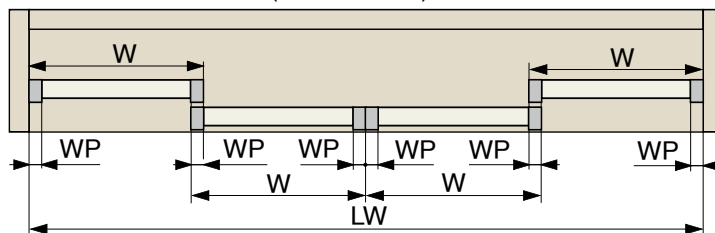
$$W = (LW + 2 \times WP)/3$$



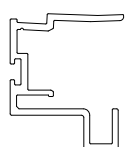
$$W = (LW + 3 \times WP)/4$$



$$W = (LW + 2 \times WP)/4$$



P03-18

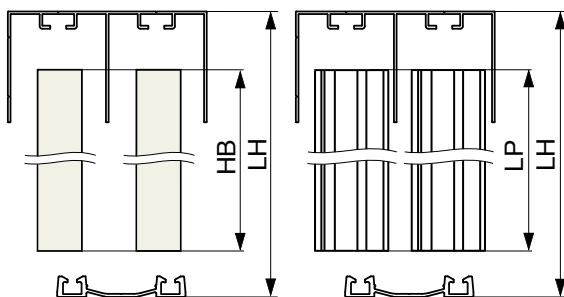
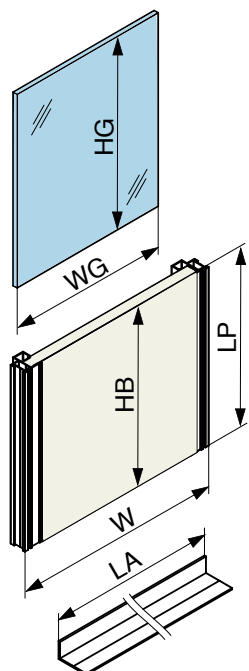


$$WP = 23$$

$$WB = W - 8$$

$$WG = W - 22$$

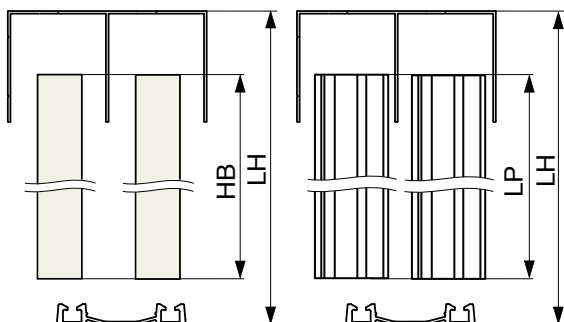
$$LA = W - 44$$



$$LP = LH - 51$$

$$HB = LH - 51$$

$$HG = LH - 51$$



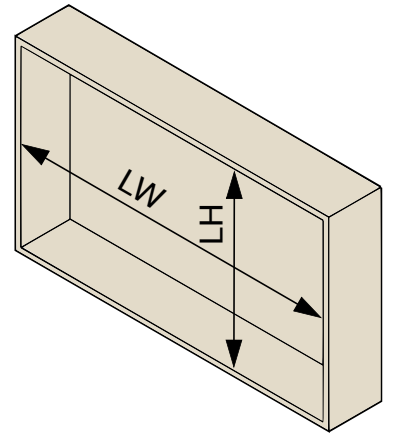
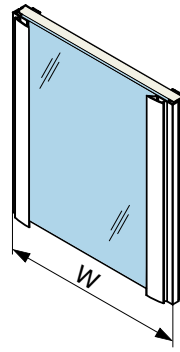
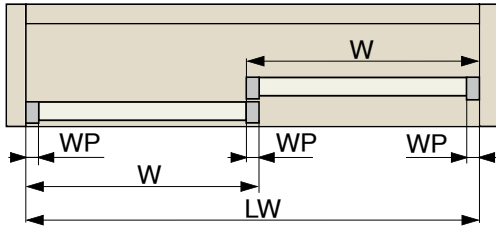
$$LP = LH - 46$$

$$HB = LH - 46$$

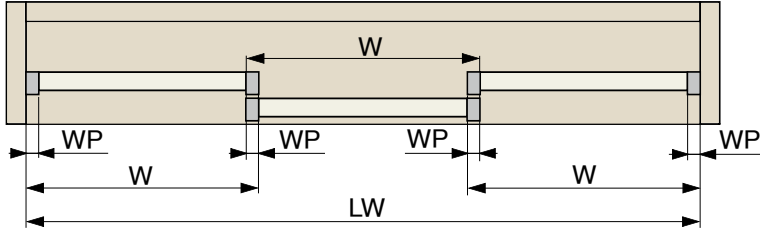
$$HG = LH - 46$$

R₁Ex

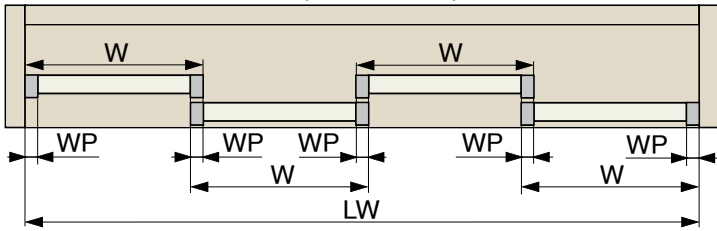
$$W = (LW + WP)/2$$



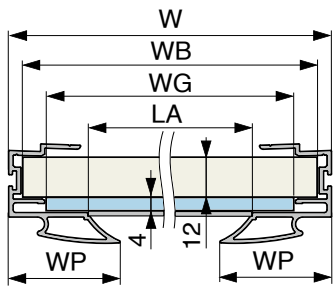
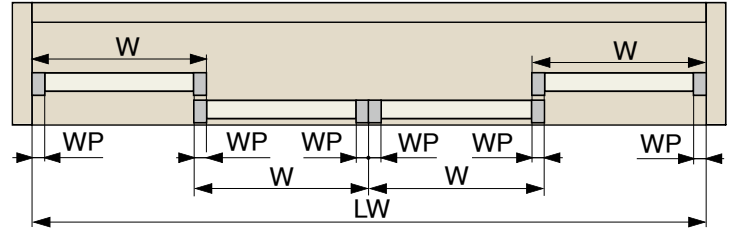
$$W = (LW + 2 \times WP)/3$$



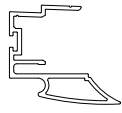
$$W = (LW + 3 \times WP)/4$$



$$W = (LW + 2 \times WP)/4$$



P01-18



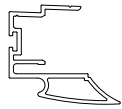
$$WP = 32$$

$$WB = W - 8$$

$$WG = W - 25$$

$$LA = W - 45$$

P01-19

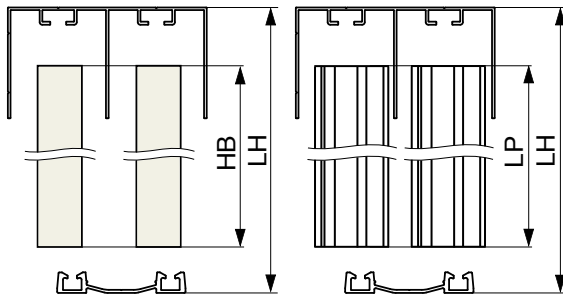
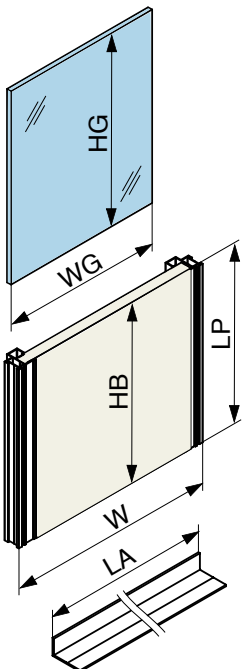


$$WP = 32$$

$$WB = W - 8$$

$$WG = W - 25$$

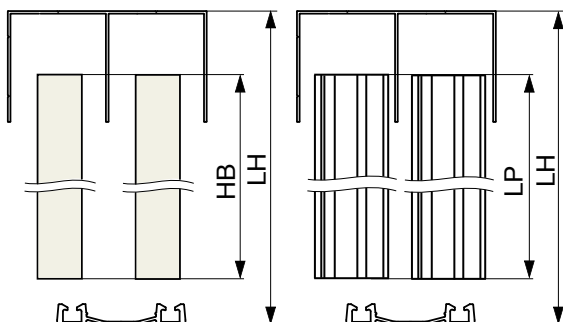
$$LA = W - 45$$



$$LP = LH - 51$$

$$HB = LH - 51$$

$$HG = LH - 51$$

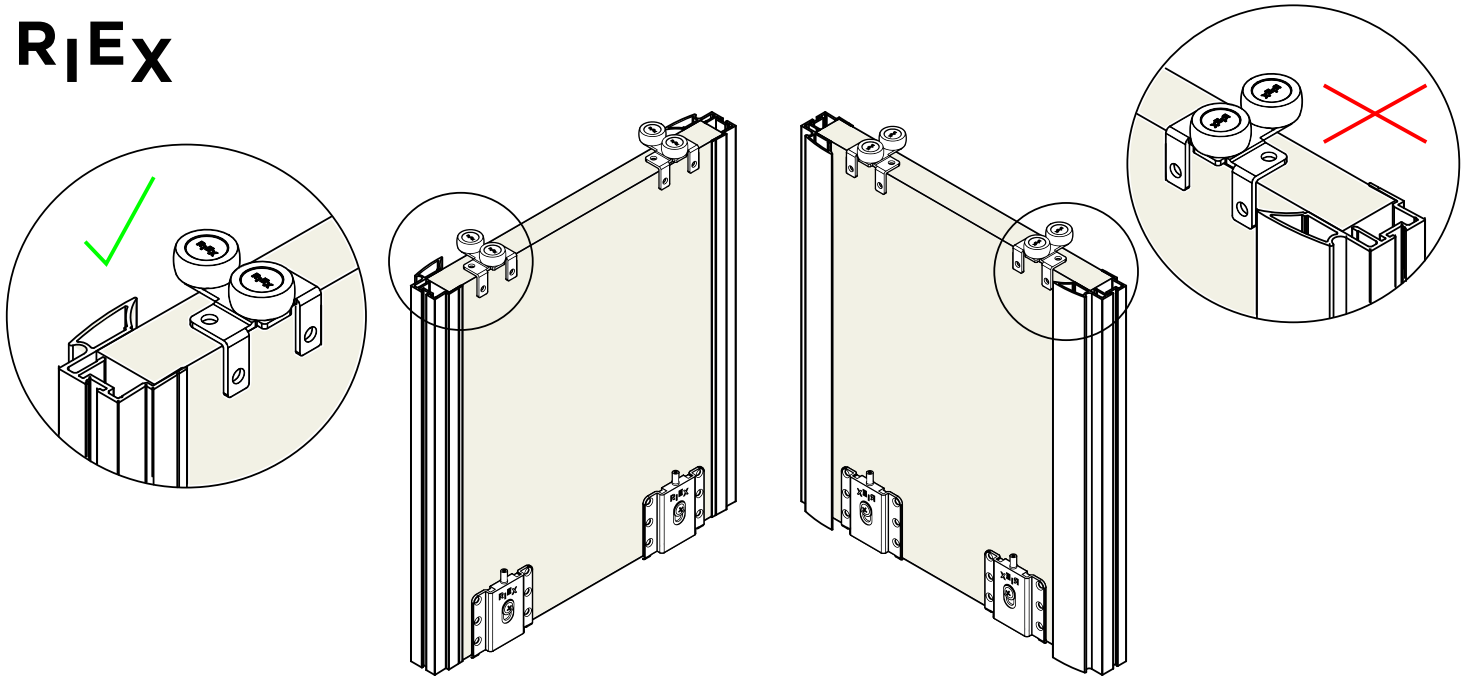


$$LP = LH - 46$$

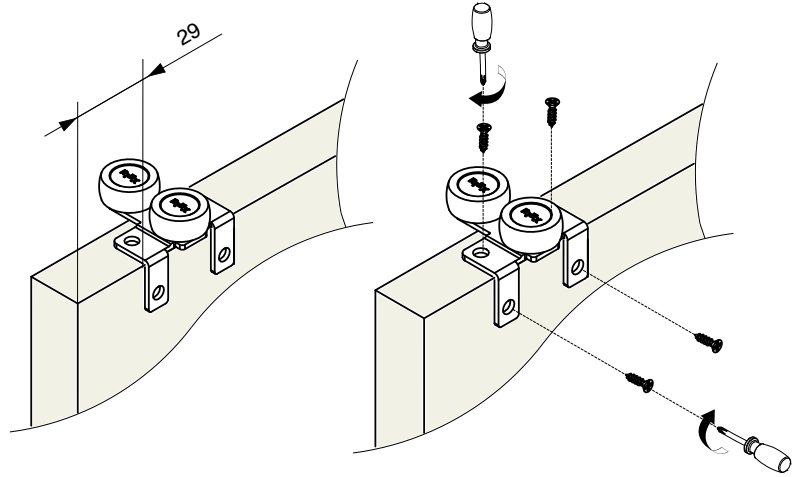
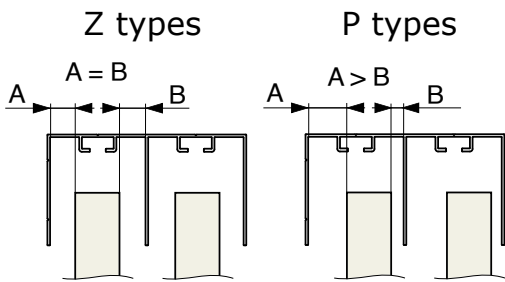
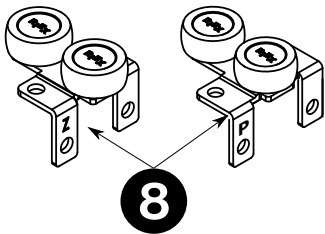
$$HB = LH - 46$$

$$HG = LH - 46$$

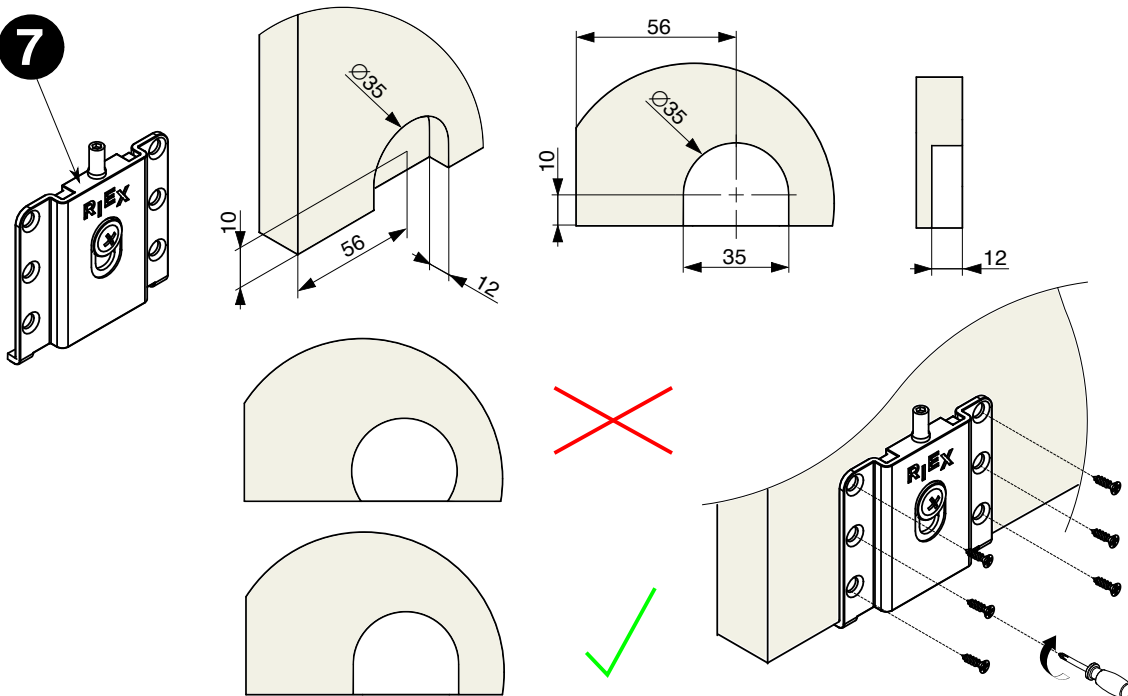
RIEX



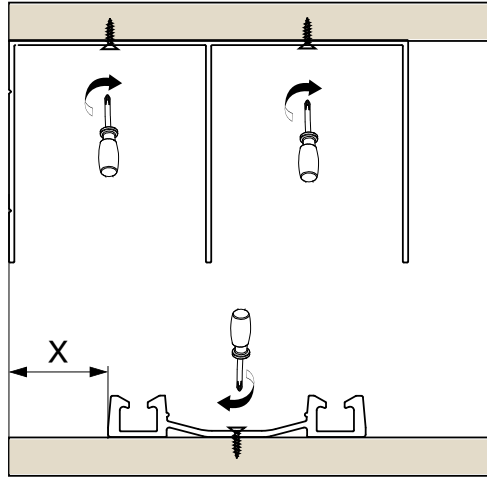
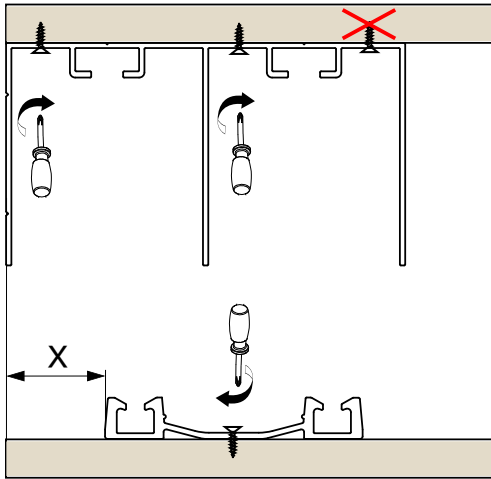
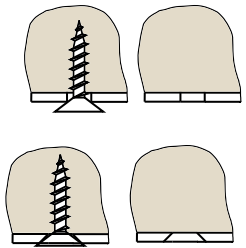
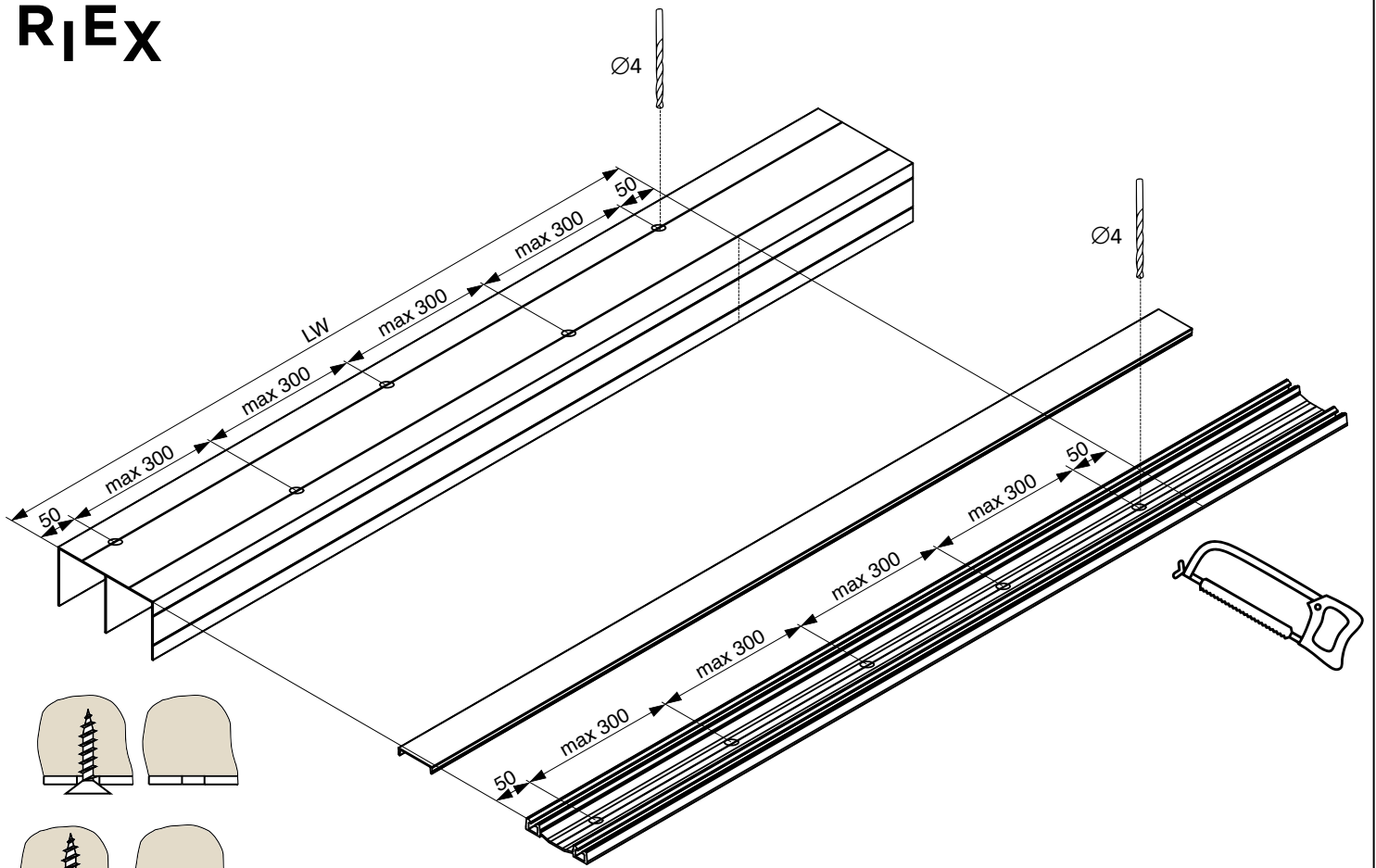
Z types P types



7

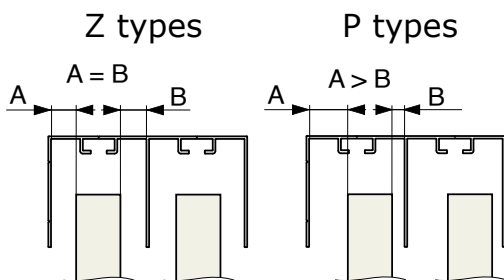
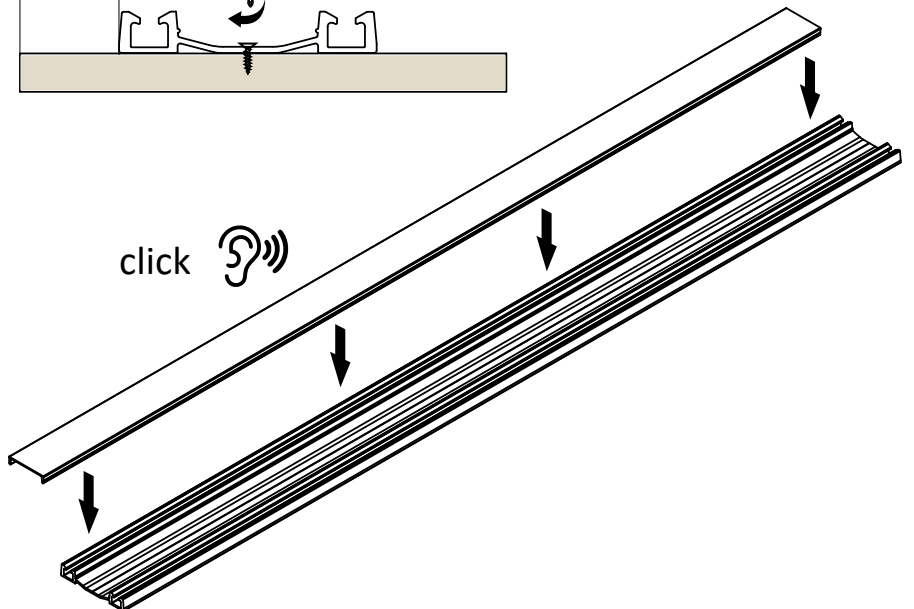


R|Ex

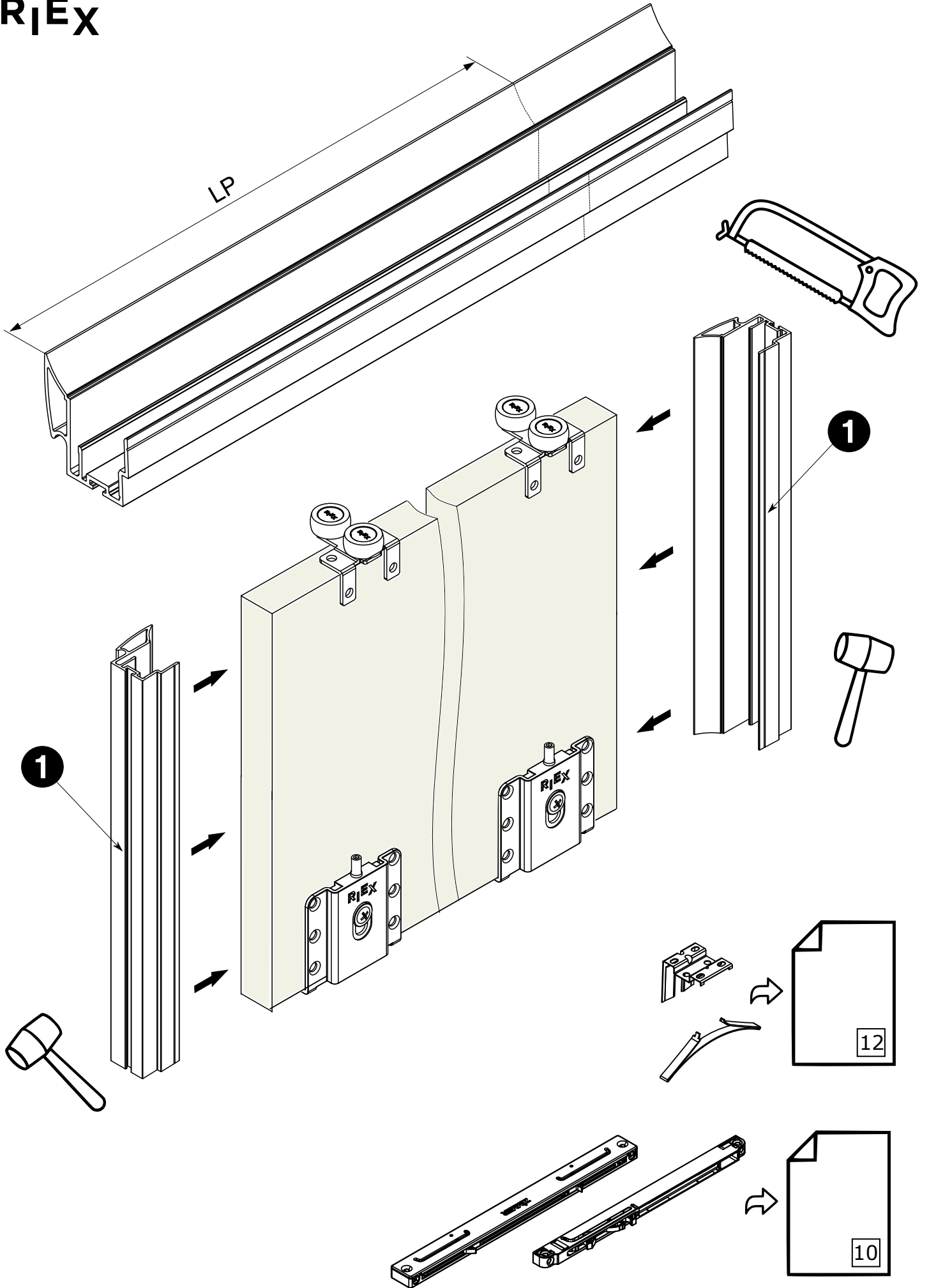


	P types	Z types
X	21	17

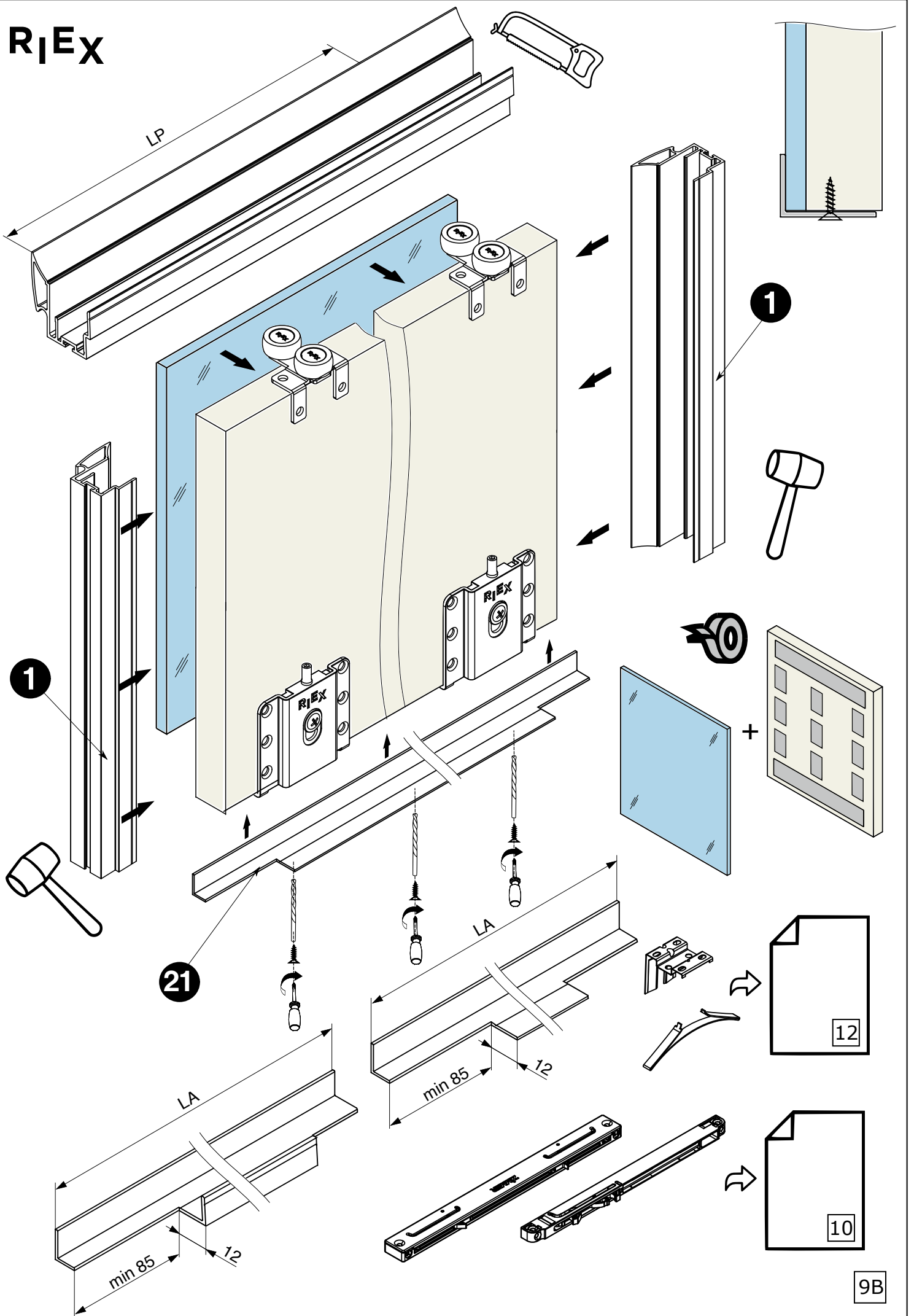
click 



RIEX



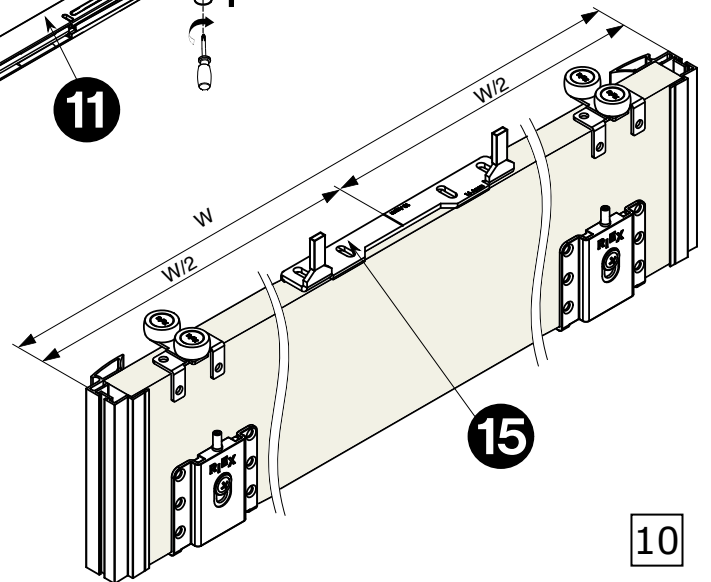
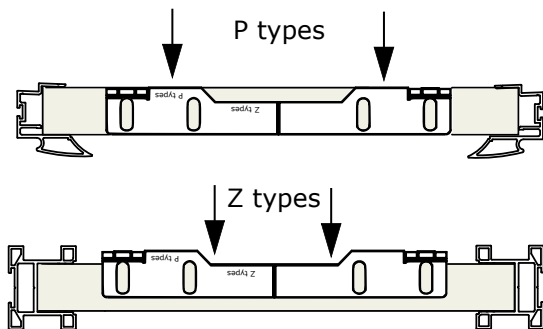
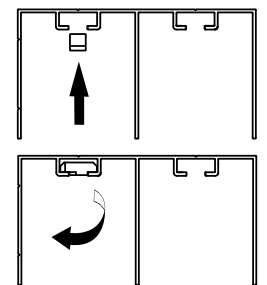
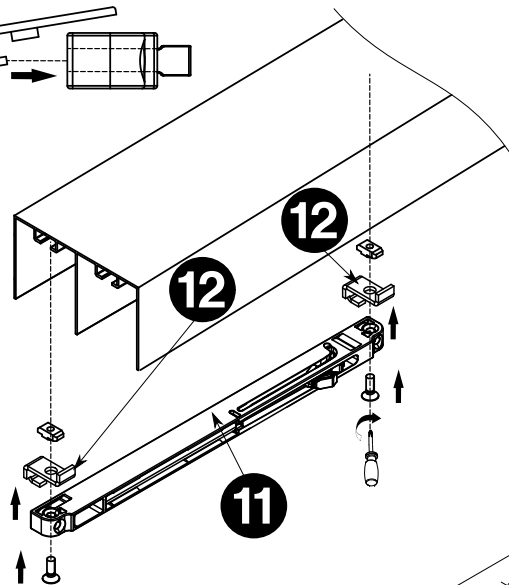
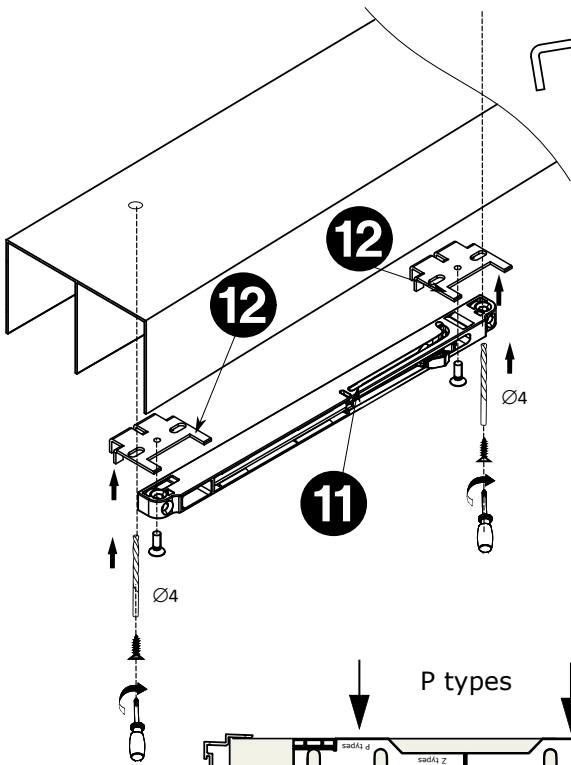
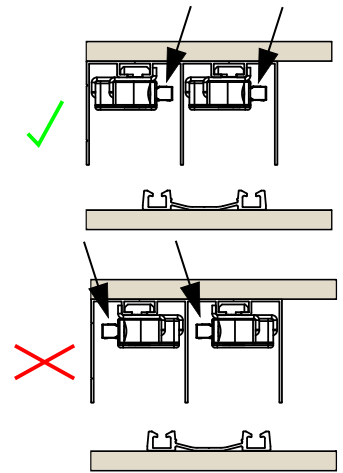
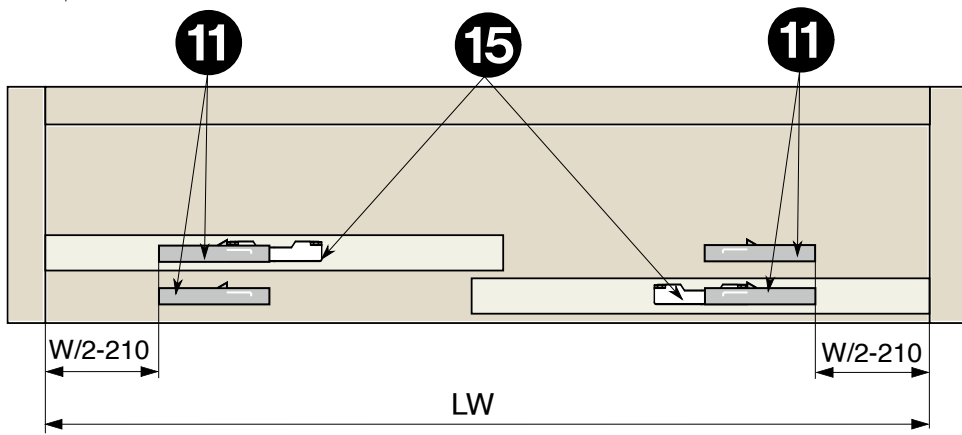
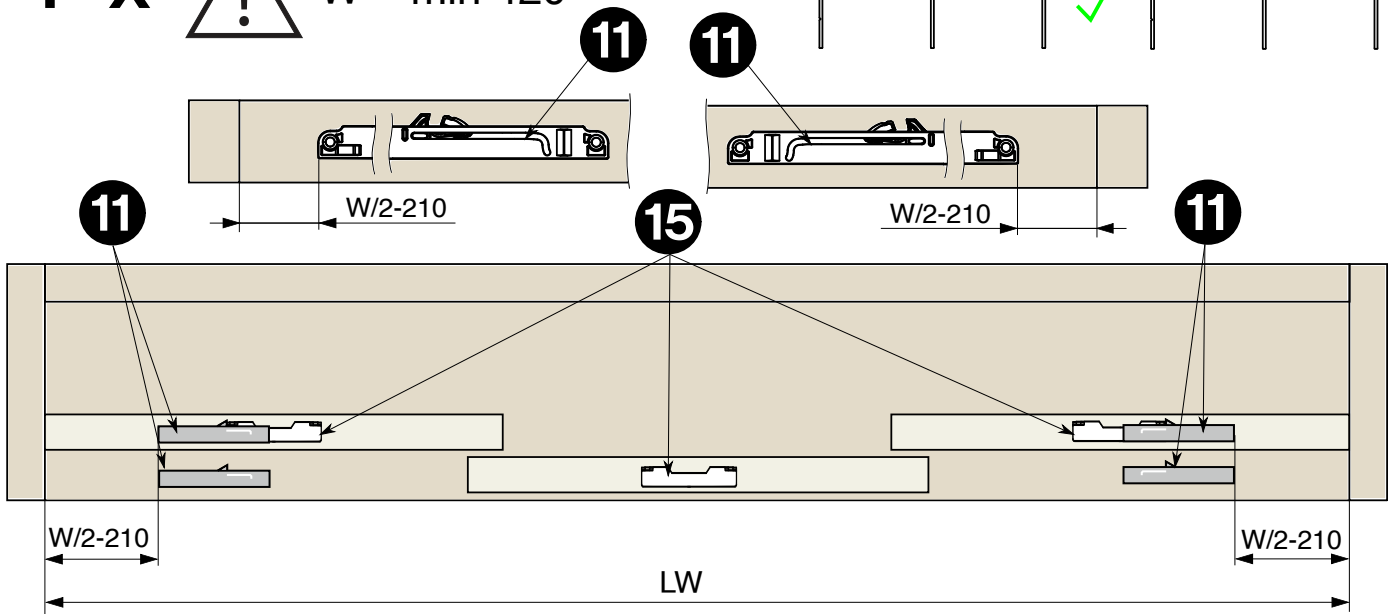
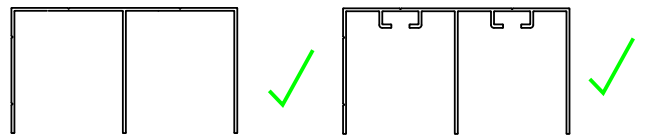
RiEx



RiEx



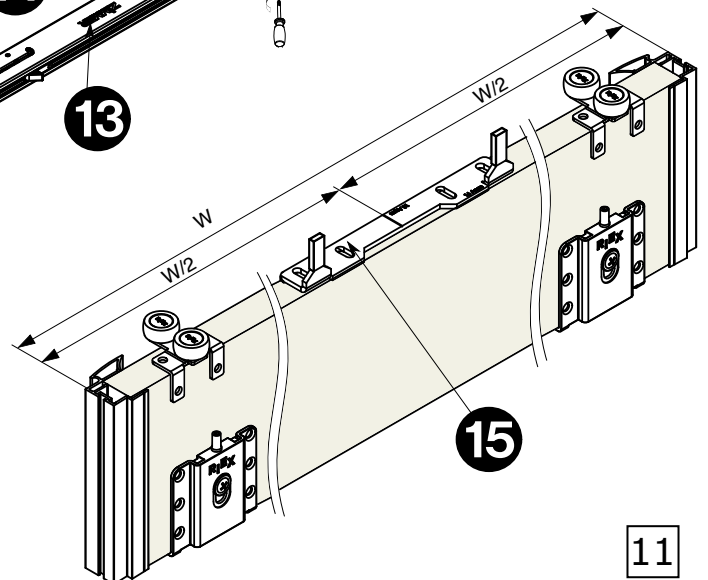
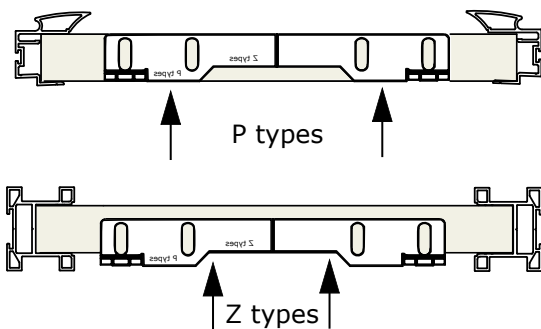
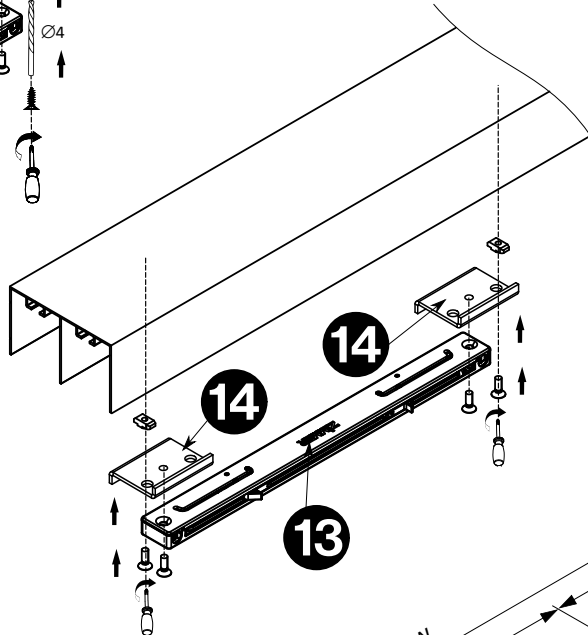
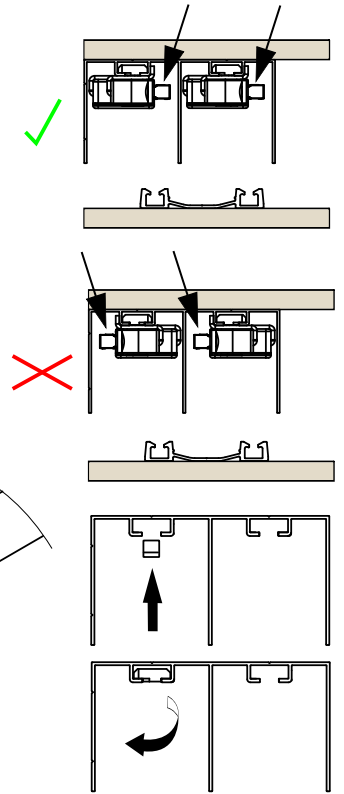
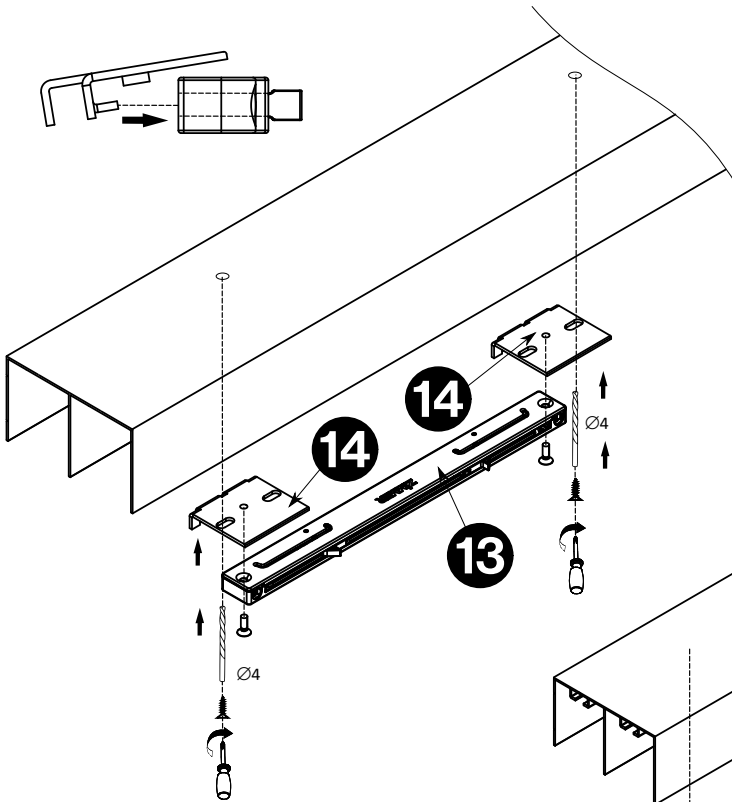
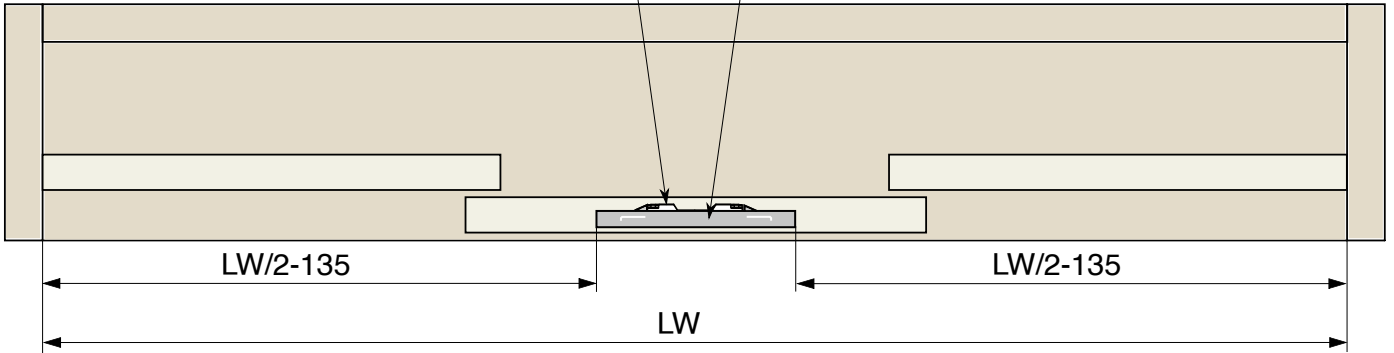
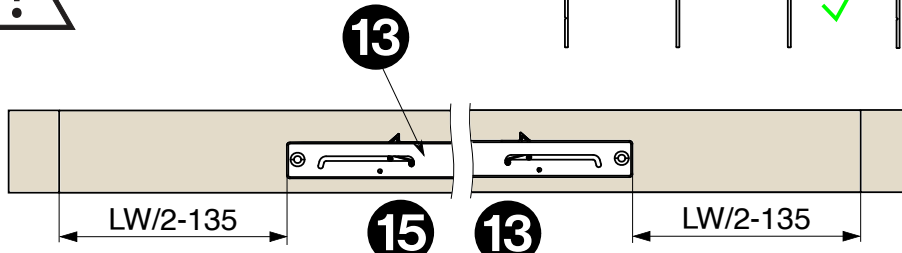
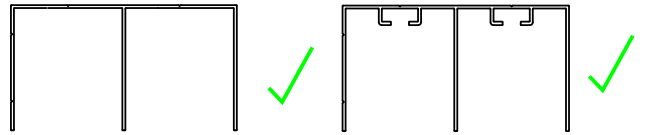
W = min 420



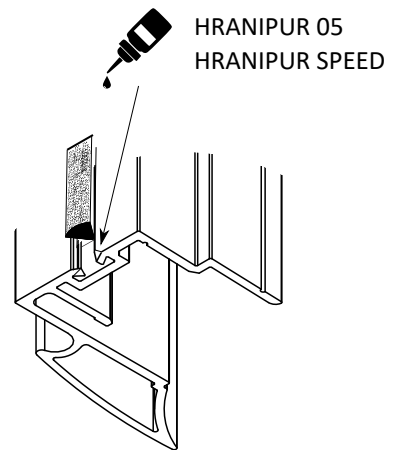
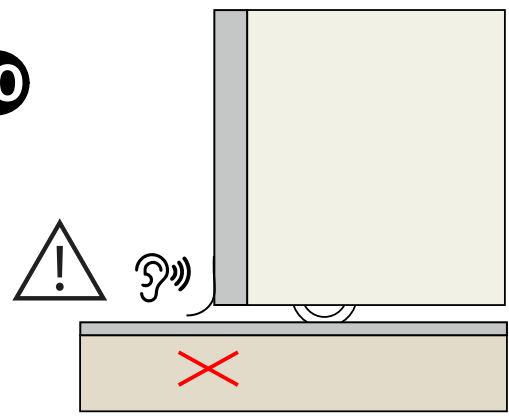
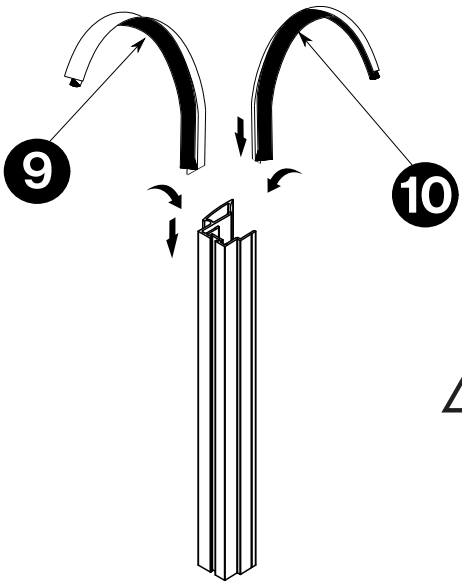
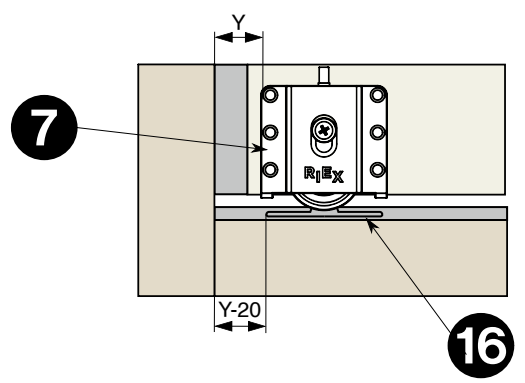
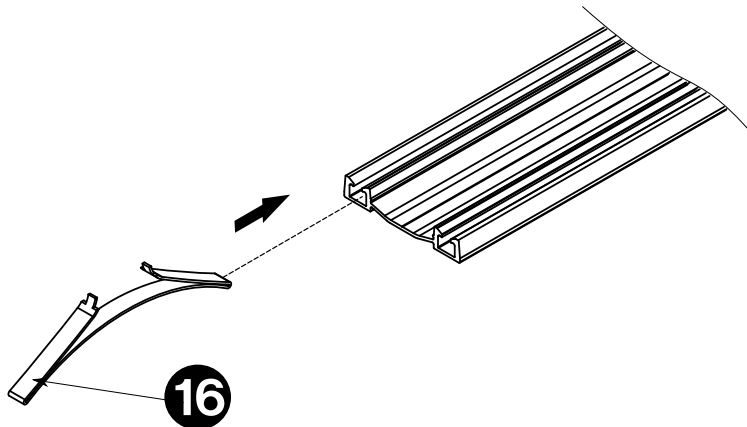
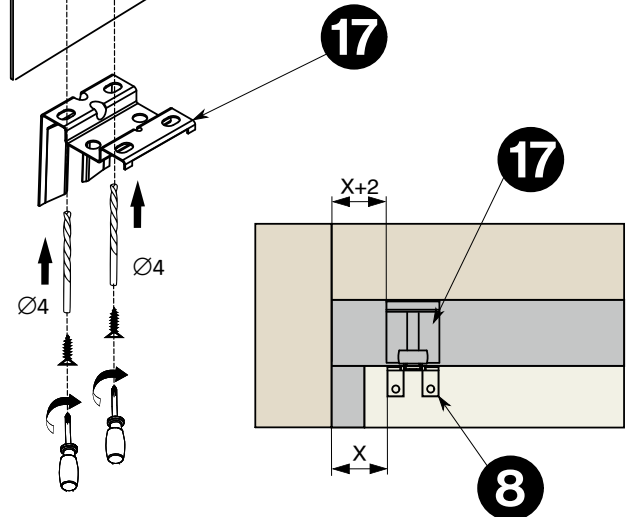
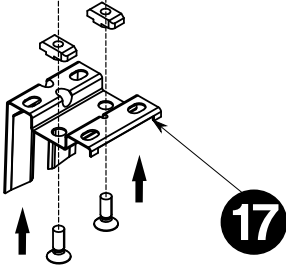
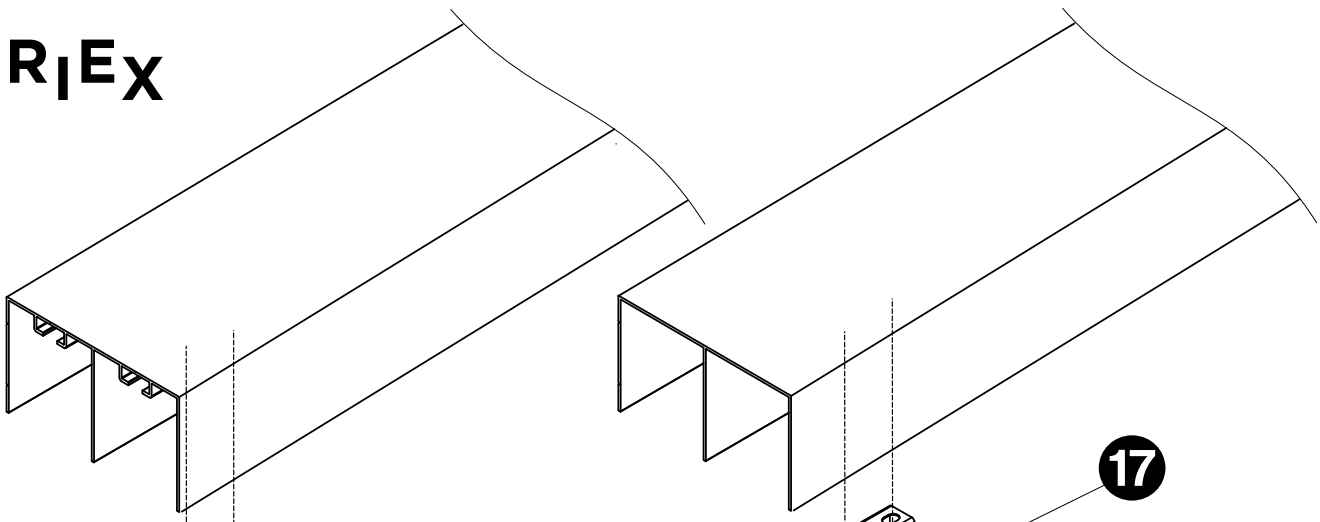
RIEx



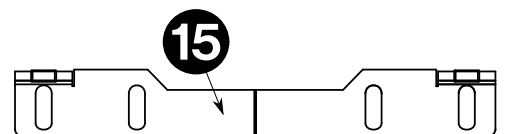
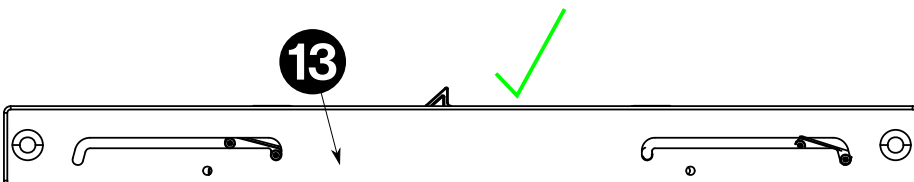
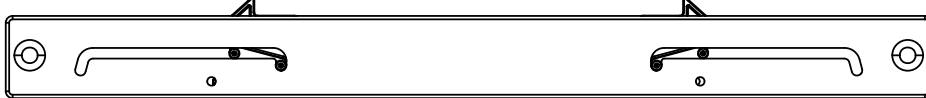
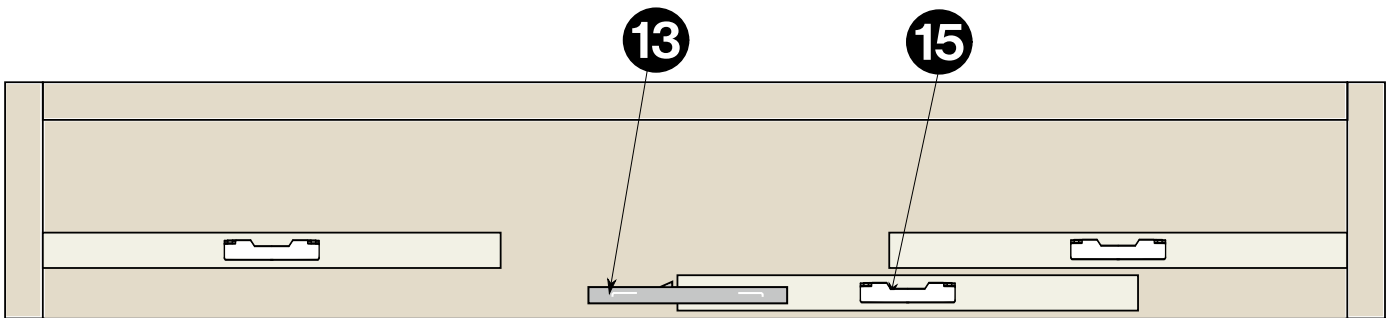
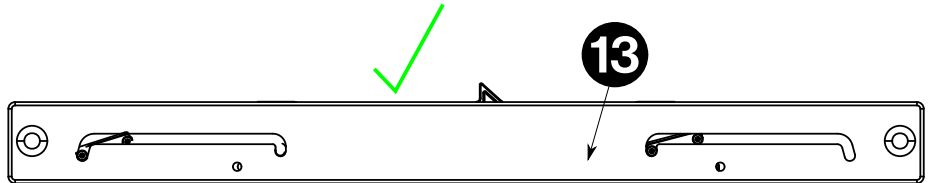
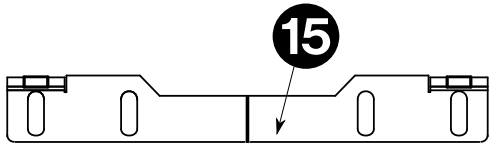
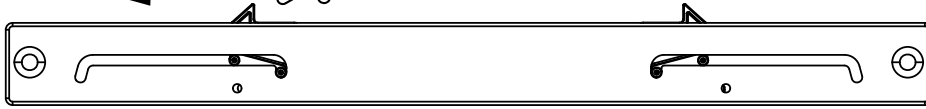
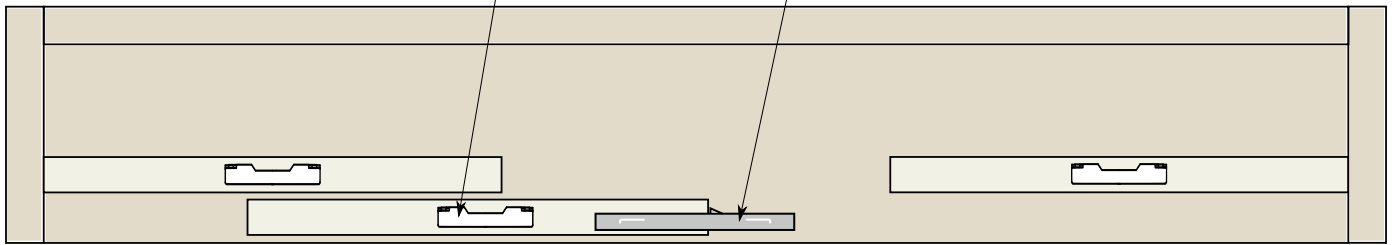
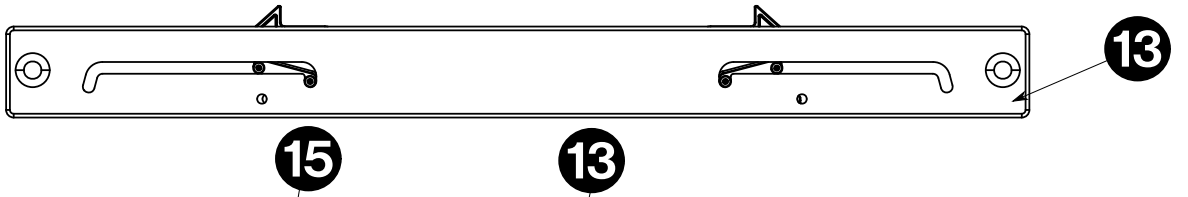
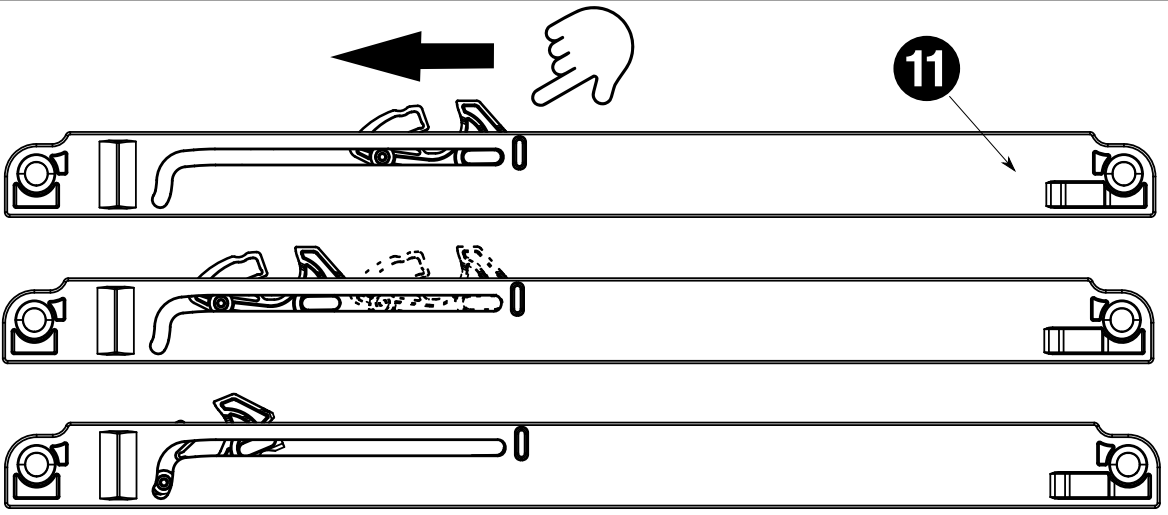
W = min 420



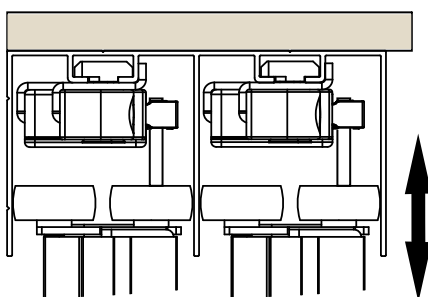
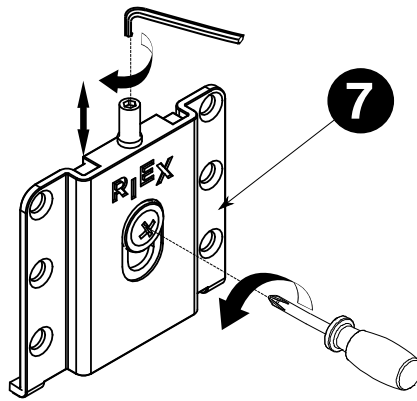
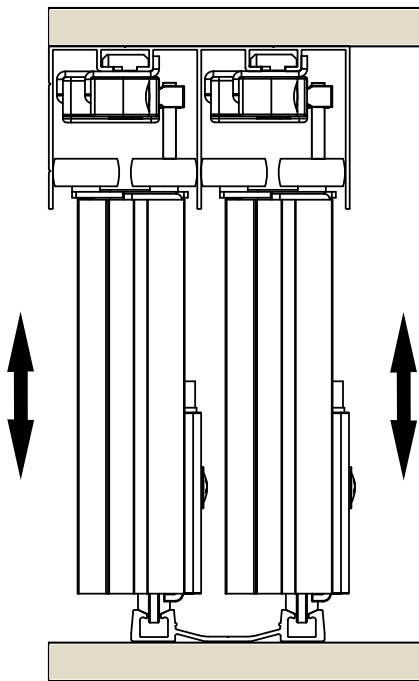
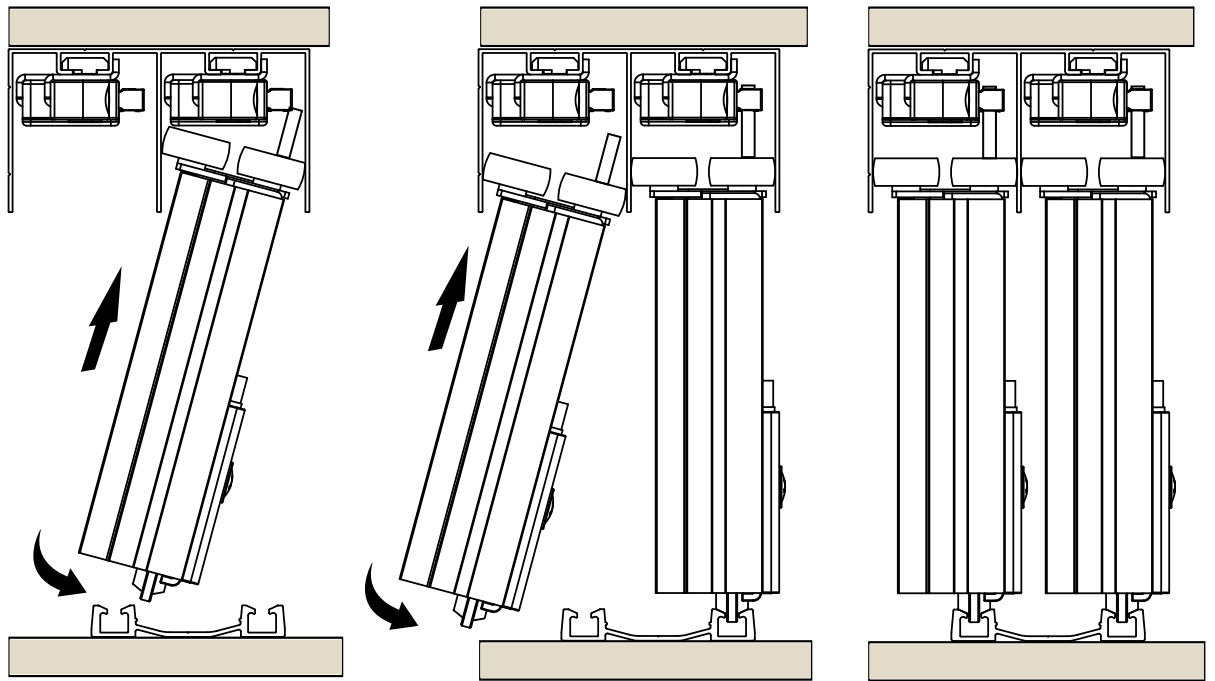
R₁Ex



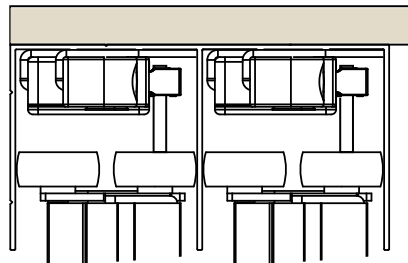
R₁Ex



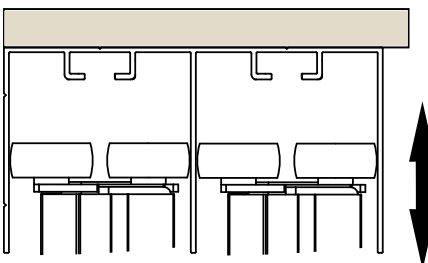
RIEx



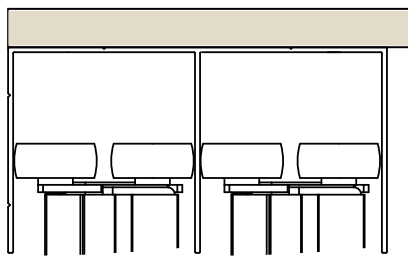
7 mm



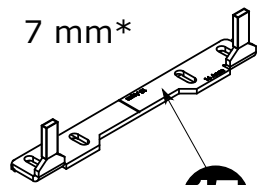
3 mm
7 mm*



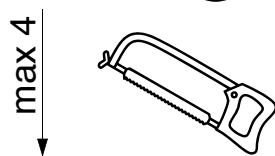
7 mm



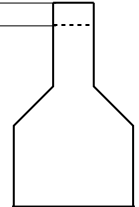
7 mm



15



max 4



14