

## Riex NB51 Ball bearing slide, full extension, PushForOpen, 35 kg/35 kg, H45, 450 mm, nickel



### Parámetros

<b>Brand</b>	Riex
<b>Length</b>	450 mm
<b>Height</b>	45 mm
<b>Loading Capacity</b>	35 kg
<b>Slides Thickness</b>	1,0*1,0*1,2 mm
<b>Mechanism</b>	Push for Open
<b>Catalogue Page chapter 1 non CZ</b>	1.59
<b>Quantity in Box</b>	15

### Descripción del producto

Riex NB51 Ball Bearing Slide, Full Extension, Push-To-Open, 35 kg, H45 Experience innovative drawer technology with the Riex NB51 ball-bearing slides, designed for all-wood drawers. Featuring a push-to-open mechanism, these slides ensure effortless opening and smooth operation without the need for handles. Key Features: Push-To-Open Mechanism: Effortlessly opens drawers with a light push. Full-Extension Design: Provides complete access to drawer contents. Durable Construction: Made of 1.0x1.0x1.2 mm thick material. Versatile Installation: Easy to install with a separable profile for convenient mounting. Load Capacity: Supports weights ranging from 19 kg to 35 kg, depending on the slide length. Upgrade your furniture with the Riex NB51 slides, combining advanced technology with premium craftsmanship to deliver unparalleled drawer functionality.

### Otras imágenes

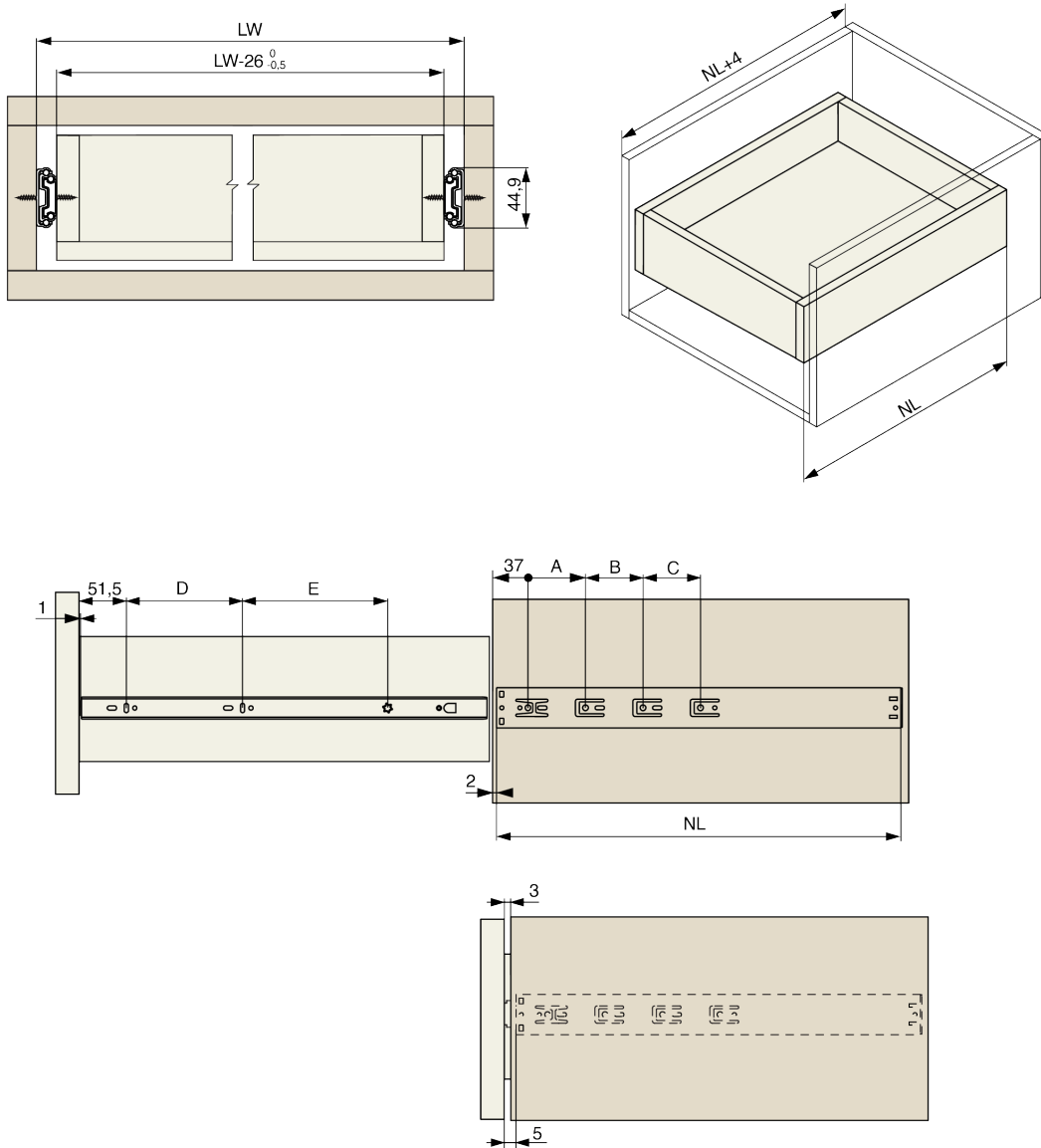


### Accesorios

**Riex Slides drilling template + Automatic punch**  
F011442



## Dibujo en 2D



NL [mm]	A [mm]	B [mm]	C [mm]	D [mm]	E [mm]
300	96	-	-	64	112
350	64	64	-	96	128
400	64	128	-	128	128
450	64	160	-	160	160
500	64	192	-	192	192
550	64	160	96	224	192
600	64	160	128	224	256