

Riex GP68 Corner pull-out baskets with door attached, frame with mechanism, left, W900, dark grey



Parameters

Brand	Riex
Colour	Dark Grey
Mechanism	Soft-close
Cabinet Width	864..964 mm
Catalogue Page	10.26
Version	Left

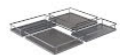
Product description

Riex GP68 Corner Pull-out Baskets with Door Attached, Frame with Mechanism The Riex GP68 pull-out system provides a functional and stylish storage solution for lower corner cabinets. Designed with integrated door-mounted mechanics, it ensures easy access to items while maximizing space efficiency. Key Features: Innovative design with doors mounted directly on pull-out mechanisms. Complete set includes frame, moving components, and full-bottom baskets (baskets and corner mechanism sold separately). Durable construction supports 5 kg on front shelves and 8 kg on rear shelves. Sleek finish complements modern kitchen aesthetics. Brackets for hanging baskets are included in the basket set. Brand: Riex. Elevate your kitchen organization with the Riex GP68 system, offering seamless access and exceptional durability for corner cabinet storage.

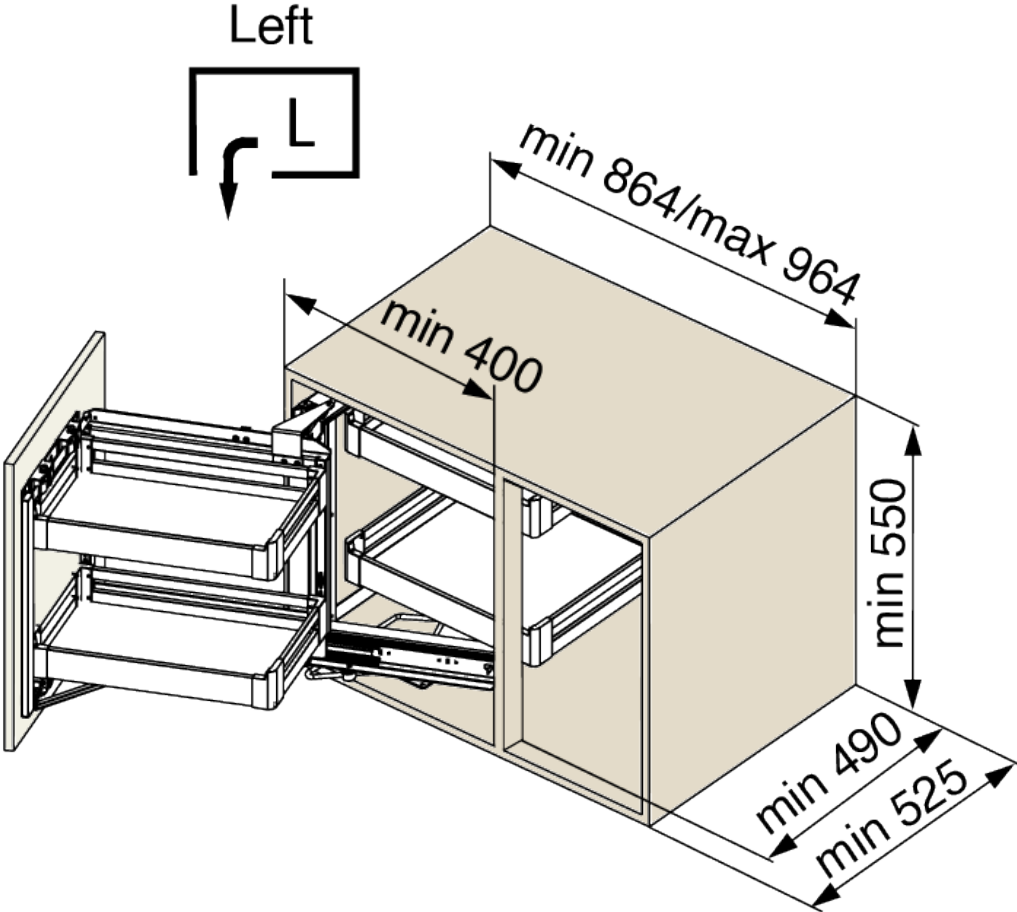
Components

Riex GP68 Corner pull-out baskets with door attached, set of full bottom baskets, W900, dark grey




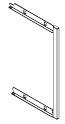
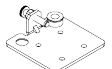




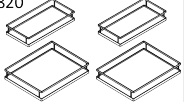








F001820



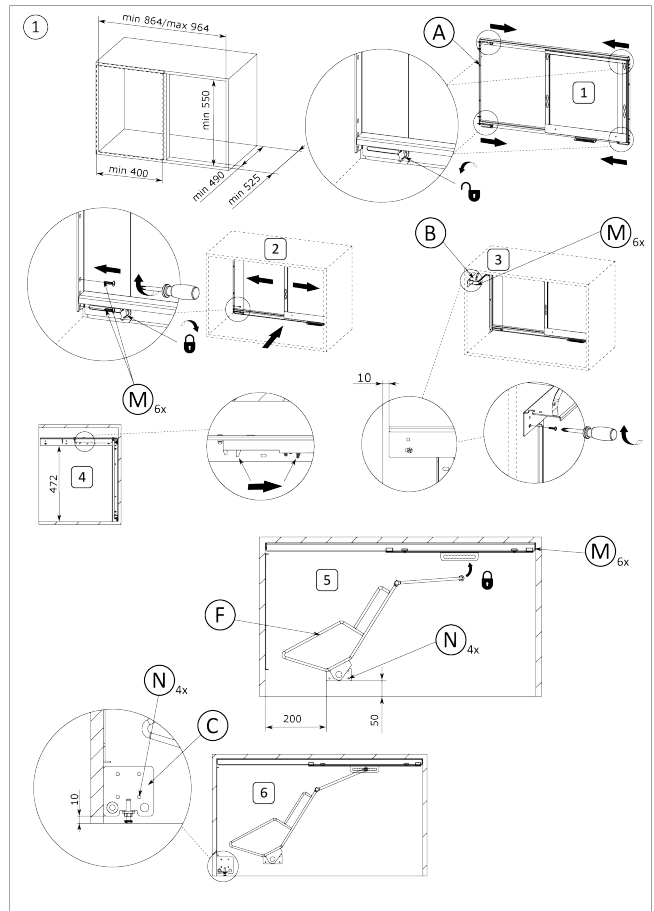
2D Drawing



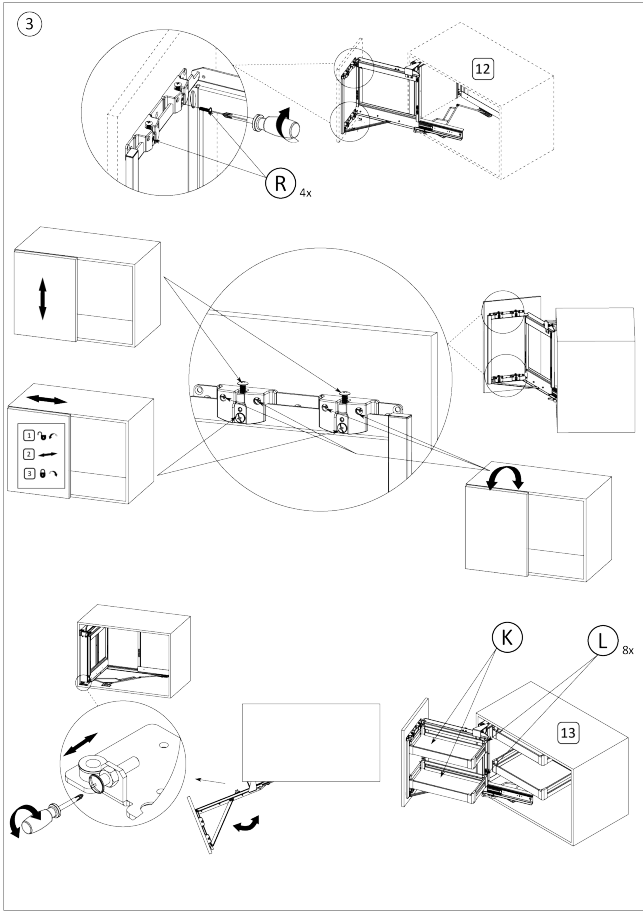
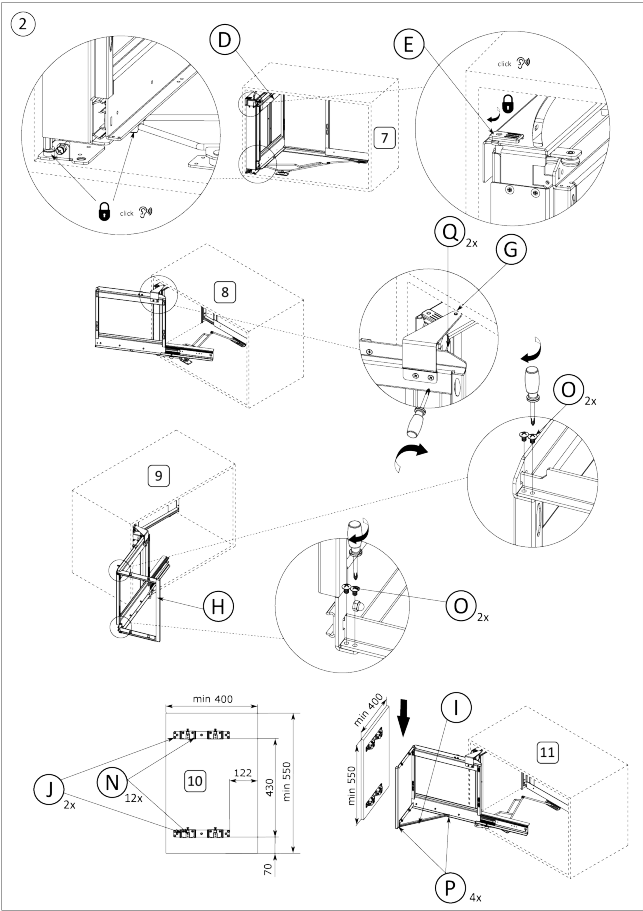
Manual

R E x		L			
	A	1x		G	1x
	B	1x		H	1x
	C	1x		I	1x
	D	1x		J	2x
	E	1x		K	1x
	F	1x		L	8x
				M	20x
				N	20x
				O	4x
				P	4x
				Q	2x
				R	4x

F001820
475x233x80 mm
475x373x80 mm



rev05



rev05