

Riex GP58 Corner pull-out baskets w/o door attached, frame with mechanism, R, W900, dark grey NV



Parameters

Brand	Riex
Colour	Dark Grey
Mechanism	Soft-close
Cabinet Width	860.960 mm
Version	Right

Product description

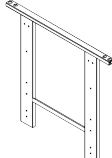
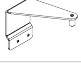
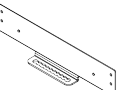
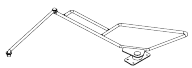
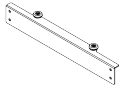
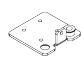
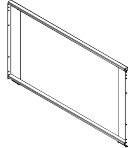
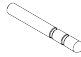


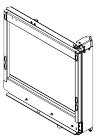
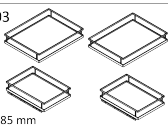





Riex GP58 Corner Pull-out Baskets w/o Door Attached, Frame with Mechanism The Riex GP58 Corner Pull-Out System is designed to revolutionize storage in lower kitchen cabinets, providing convenient access to hard-to-reach spaces. With a robust frame and smooth-moving mechanism. Key Features: Includes frame and moving components for corner pull-out storage. Requires the GP58 basket set for complete assembly (sold separately). Loading capacity: 5 kg per front shelf and 8 kg per rear shelf. Brackets for hanging baskets are included in the basket set. Elegant finish for a contemporary kitchen look. Brand: Riex. Upgrade your kitchen storage with the Riex GP58 Corner Pull-Out System, offering flexibility and seamless functionality for modern homes.

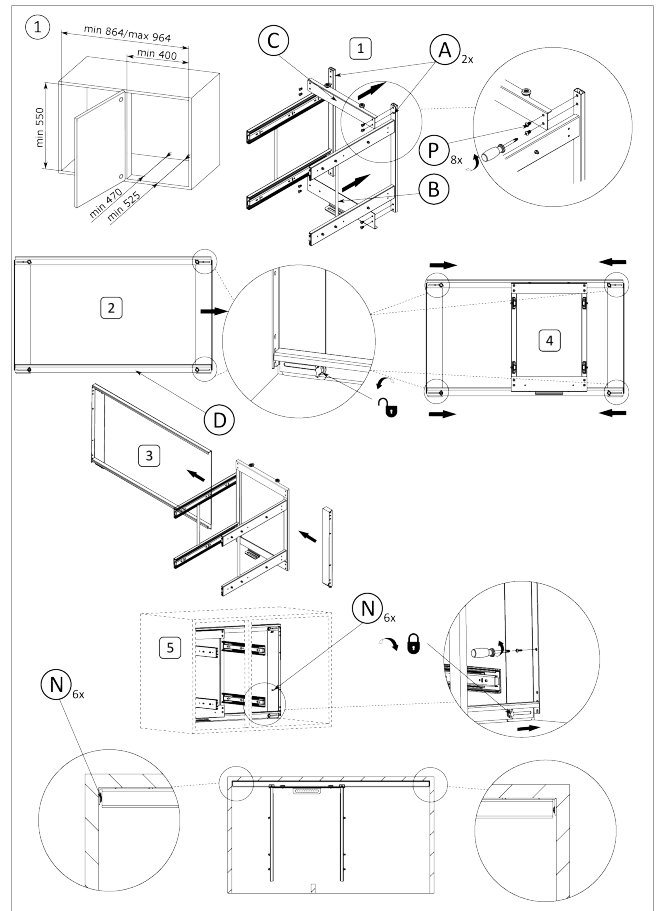
Components

Riex GP58 Corner pull-out baskets w/o door attached, set of full bottom baskets, W900, dark grey NV
F014903

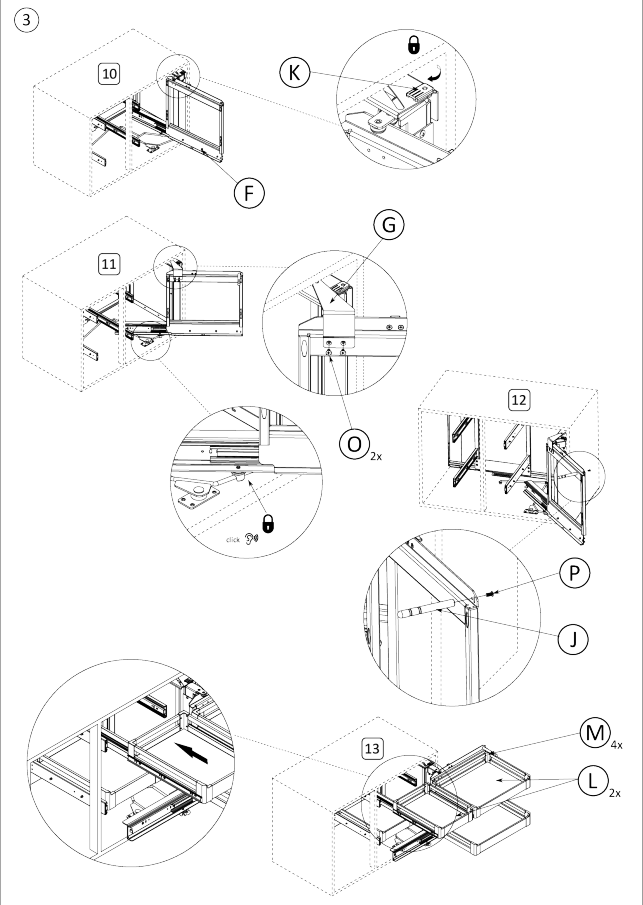
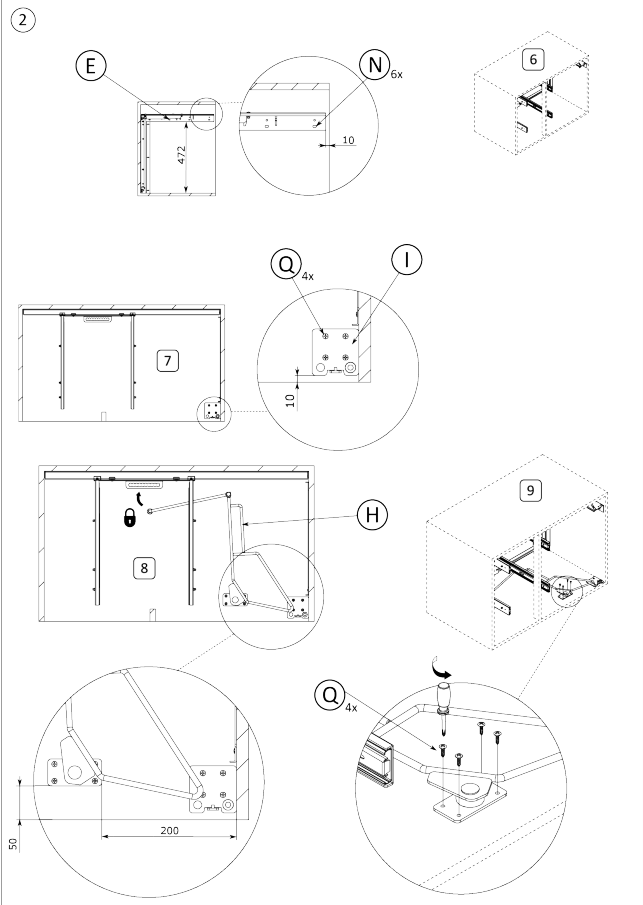


Manual

R Ex		R		
	A	2x		G 1x
	B	1x		H 1x
	C	1x		I 1x
	D	1x		J 1x
	E	1x		K 1x
	F	1x		L 1x
			<small>F014903 475x290x85 mm 405x285x105 mm</small>	
				M 4x
				4x14 N 20x
				M5x8 O 2x
				M5x10 P 9x
				4x16 Q 8x



rev01



rev01

2D Drawing

RIGHT

