

Tente AA25 Lumina, furniture castor D50, Platte 42x42 mm, Bremse, Schwarz



Parameter

Farbe	Schwarz
Marke	Tente
Durchmesser	50 mm
Laufflächenart	stark
Katalog Seite	5.41
Menge im Karton	80
Static Loading Capacity	80 kg
Dynamic Loading Capacity	40 kg

Produktbeschreibung

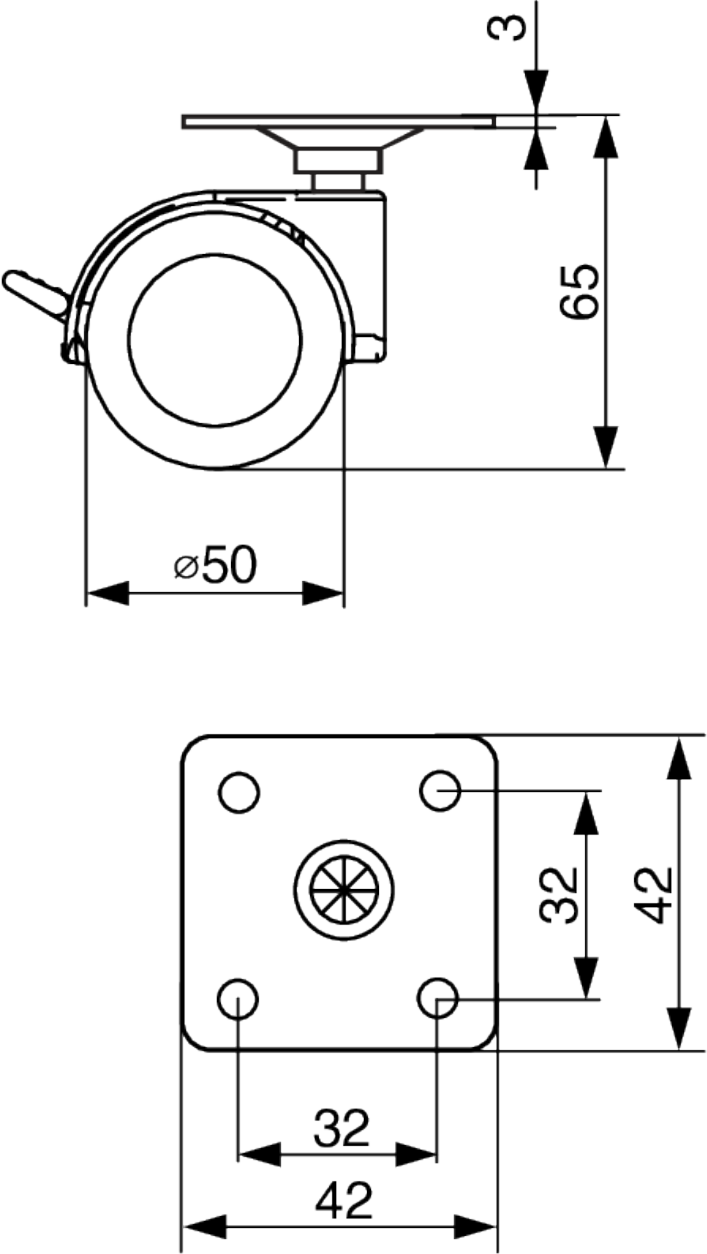
Möbelrolle mit weicher Lauffläche, geeignet für harte Böden.

Zubehör

Tente AA20 Lumina, furniture castor D50, Platte 42x42 mm, Schwarz
F003501



2D-Zeichnung



PRODUCT INFORMATION

LUMINA

AA25POI050L51-10

EAN 4031582335743

Swivel castor with wheel brake, housing made of Polypropylene, with blind hole fitting. Wheel centre made of Polypropylene, plain bearing

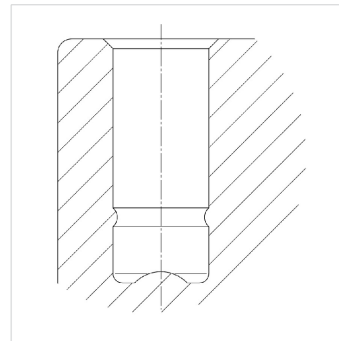


Picture may differ from original product

Technical Data

Wheel diameter	50 mm
Wheel width	7 mm
Castor width	55 mm
Centre hole	10 mm
Offset	20 mm
Swivel Interference	124 mm
Overall height	56 mm
Temperature	- 20 / + 60 °C
Standard	EN_12528
Weight	0.061 kg
Swivel Radius	62 mm
Hardness of tread	Shore D 65
Load capacity	40 kg
Load capacity (static)	80 kg

Structure & Mounting



Advantages at a glance

Roll performance	● ● ● ○ ○
Movement noise	● ● ● ○ ○
Attrition	● ● ● ○ ○
Corrosion resistance	● ● ● ○ ○