

Tente 5920 Linea, Möbelrolle mit weicher Lauffläche D50, Platte 42x42 mm, Grau



Parameter

| | |
|--------------------------|--------|
| Farbe | Grau |
| Marke | Tente |
| Durchmesser | 50 mm |
| Laufflächenart | Soft |
| Katalog Seite | 5.42 |
| Menge im Karton | 60 |
| Static Loading Capacity | 100 kg |
| Dynamic Loading Capacity | 50 kg |

Produktbeschreibung

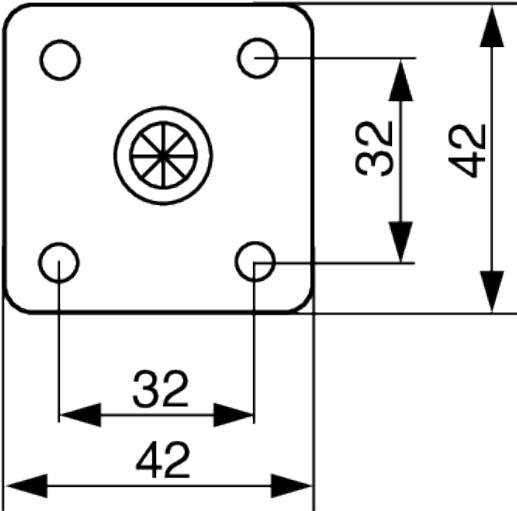
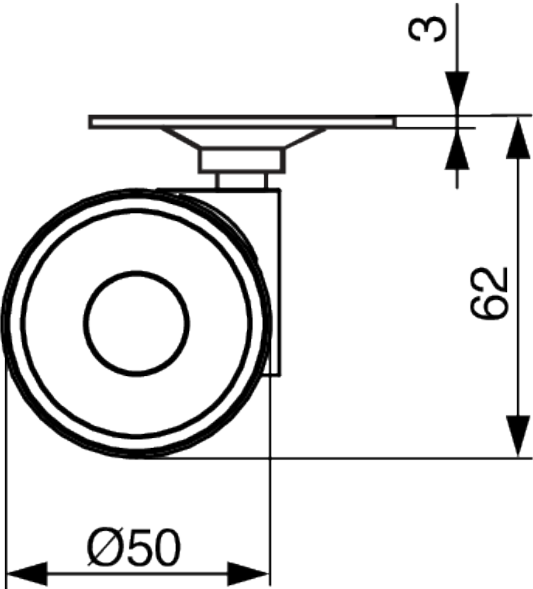
Möbelrolle mit weicher Lauffläche, geeignet für harte Böden.

Zubehör

Tente 5925 Linea, Möbelrolle mit weicher Lauffläche D50, Platte 42x42 mm, Bremse, Grau
F003506



2D-Zeichnung



PRODUCT INFORMATION

LINEA

5920UAI050L51-10

EAN 4031582437638

Swivel castor, housing made of Polyamide, with blind hole fitting. Wheel centre made of Polyamide, Tread: Polyurethane, plain bearing



Picture may differ from original product

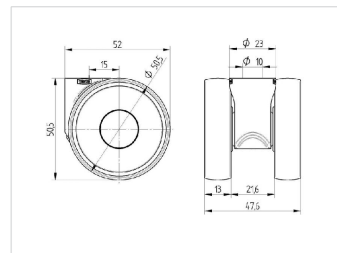
Technical Data

| | |
|------------------------|-------------|
| Wheel diameter | 50 mm |
| Wheel width | 13 mm |
| Castor width | 47.6 mm |
| Centre hole | 10 mm |
| Dome-Ø | 23 mm |
| Offset | 15 mm |
| Swivel Interference | 92 mm |
| Overall height | 50.5 mm |
| Temperature | -10/+40 °C |
| Standard | EN_12528 |
| Weight | 0.06 kg |
| Swivel Radius | 46 mm |
| Hardness of tread | Shore 92ShA |
| Load capacity | 50 kg |
| Load capacity (static) | 100 kg |

Advantages at a glance

| | |
|----------------------|-----------|
| Roll performance | ● ● ● ○ ○ |
| Movement noise | ● ● ● ○ ○ |
| Attrition | ● ● ● ○ ○ |
| Corrosion resistance | ● ● ● ○ ○ |

Dimensions



Structure & Mounting

