

## Tente 2475 Agila, Möbelrolle mit weicher Lauffläche D50, Platte 60x60 mm, Bremse, Grau



### Parameter

Farbe	Grau
Marke	Tente
Durchmesser	50 mm
Laufflächenart	Soft
Katalog Seite	5.49
Static Loading Capacity	80 kg
Dynamic Loading Capacity	40 kg

### Produktbeschreibung

Möbelrolle mit weicher Lauffläche, geeignet für harte Böden.

### Zubehör

**Tente 2470 Agila, Möbelrolle mit weicher Lauffläche D50, Platte 60x60 mm, Grau**  
F003573

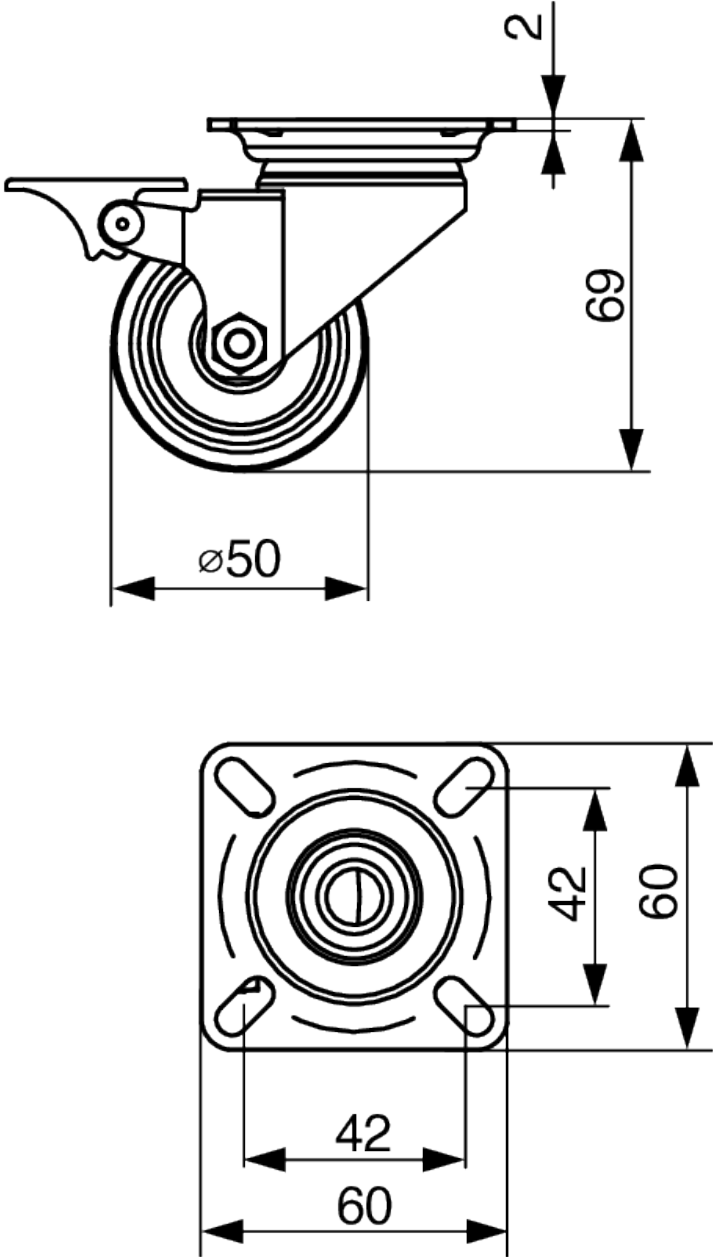


### Ähnliche Artikel

**Tente 2478 Agila, Möbelrolle mit weicher Lauffläche D50, Platte 60x60 mm, Starr, Grau**  
F003574



2D-Zeichnung



PRODUCT INFORMATION

## AGILA

2475PJI050P40

EAN 4031582050035

Swivel castor with wheel brake, housing made of pressed steel, bright zinc plated, blue passivated, double ball bearing swivel head, axle riveted, plate fitting. Wheel centre made of Polypropylene, Tread: TENTEprene (thermoplastic rubber), grey non-marking, plain bearing

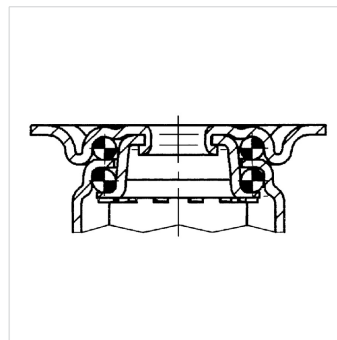


Picture may differ from original product

Technical Data

Wheel diameter	50 mm
Wheel width	19 mm
Castor width	43 mm
Size of Plate	60 x 60 mm
Plate hole centres	48/38 x 48/38 mm
Plate hole	6,3 mm
Dome-Ø	41 mm
Offset	24 mm
Swivel Interference	164 mm
Overall height	69 mm
Temperature	- 20 / + 60 °C
Standard	EN_12530
Weight	0.192 kg
Swivel Radius	82 mm
Hardness of tread	Shore A 87
Load capacity	40 kg
Load capacity (static)	80 kg

Structure & Mounting



Advantages at a glance

Roll performance	● ● ● ● ○
Movement noise	● ● ● ● ○
Attrition	● ● ● ● ○
Corrosion resistance	● ● ● ● ○

PRODUCT INFORMATION

## AGILA

2475PJI050P40

EAN 4031582050035



Structure & Mounting

