

Tente 2470 Agila, Möbelrolle mit weicher Lauffläche D75, Platte 60x60 mm, Grau



Parameter

Farbe	Grau
Marke	Tente
Durchmesser	75 mm
Laufflächenart	Soft
Katalog Seite	5.50
Menge im Karton	50
Static Loading Capacity	150 kg
Dynamic Loading Capacity	75 kg

Produktbeschreibung

Möbelrolle mit weicher Lauffläche, geeignet für harte Böden.

Zubehör

Tente 2477 Agila, Möbelrolle mit weicher Lauffläche D75, Platte 60x60 mm, Bremse, Grau
F003578

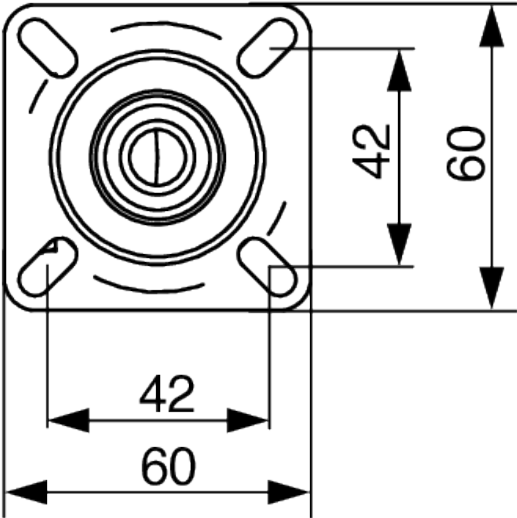
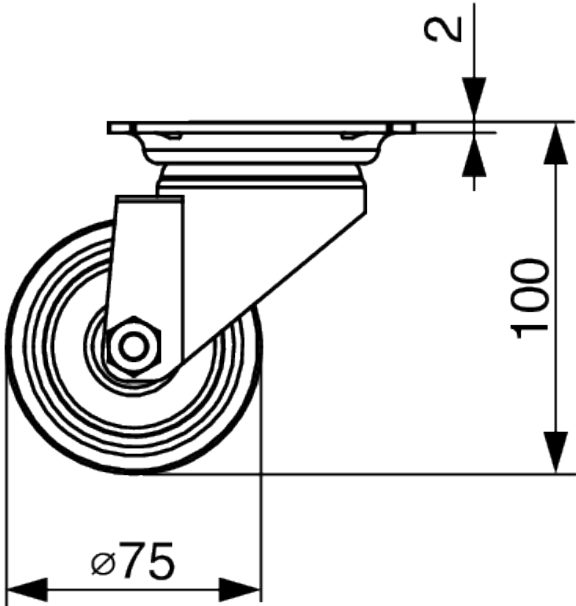


Ähnliche Artikel

Tente 2478 Agila, Möbelrolle mit weicher Lauffläche D75, Platte 67x60 mm, Starr, Grau
F003577



2D-Zeichnung



PRODUCT INFORMATION

AGILA

2470PJO075P40

EAN 4031582010404

Swivel castor, housing made of pressed steel, bright zinc plated, blue passivated, double ball bearing swivel head, plate fitting. Wheel centre made of Polypropylene, Tread: TENTEprene (thermoplastic rubber), grey non-marking, plain bearing



Picture may differ from original product

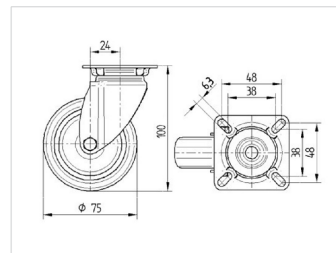
Technical Data

Wheel diameter	75 mm
Wheel width	25 mm
Castor width	43 mm
Size of Plate	60 x 60 mm
Plate hole centres	48/38 x 48/38 mm
Plate hole	6,3 mm
Offset	24 mm
Swivel Interference	123 mm
Overall height	100 mm
Temperature	- 20 / + 60 °C
Standard	EN_12530
Weight	0.244 kg
Swivel Radius	61.5 mm
Hardness of tread	Shore A 87
Load capacity	75 kg
Load capacity (static)	150 kg

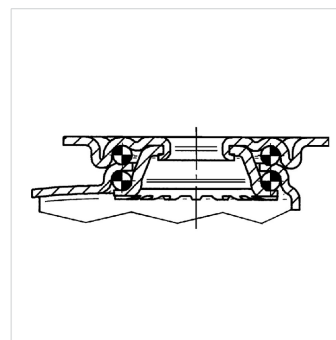
Advantages at a glance

Roll performance	● ● ● ○ ○
Movement noise	● ● ● ○ ○
Attrition	● ● ● ○ ○
Corrosion resistance	● ● ● ○ ○

Dimensions



Structure & Mounting



PRODUCT INFORMATION

AGILA

2470PJO075P40

EAN 4031582010404



Structure & Mounting

