

Tente 2470 Agila, Möbelrolle mit weicher Lauffläche D50, Platte 60x60 mm, Grau



Parameter

Farbe	Grau
Marke	Tente
Durchmesser	50 mm
Laufflächenart	Soft
Katalog Seite	5.49
Static Loading Capacity	80 kg
Dynamic Loading Capacity	40 kg

Produktbeschreibung

Möbelrolle mit weicher Lauffläche, geeignet für harte Böden.

Zubehör

Tente 2475 Agila, Möbelrolle mit weicher Lauffläche D50, Platte 60x60 mm, Bremse, Grau
F003575

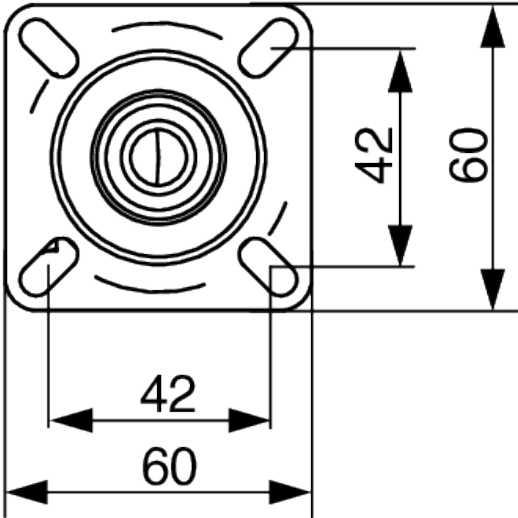
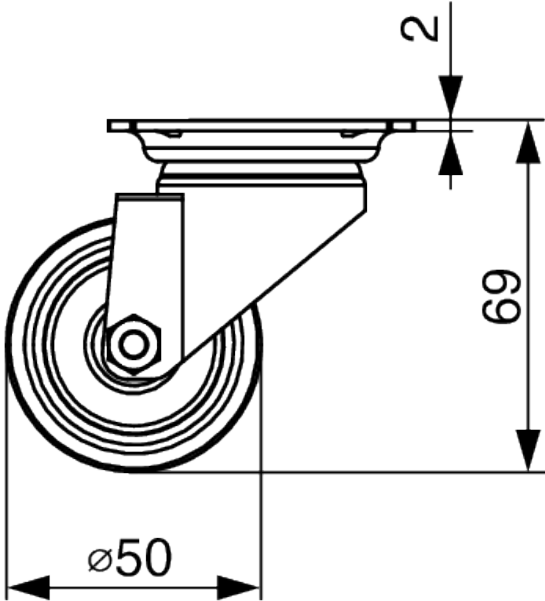


Ähnliche Artikel

Tente 2478 Agila, Möbelrolle mit weicher Lauffläche D50, Platte 60x60 mm, Starr, Grau
F003574



2D-Zeichnung



PRODUCT INFORMATION

AGILA

2470PJ1050P40 screwed

EAN 4031582010053

Swivel castor, housing made of pressed steel, bright zinc plated, blue passivated, double ball bearing swivel head, axle riveted, plate fitting. Wheel centre made of Polypropylene, Tread: TENTEprene (thermoplastic rubber), grey non-marking, plain bearing



Picture may differ from original product

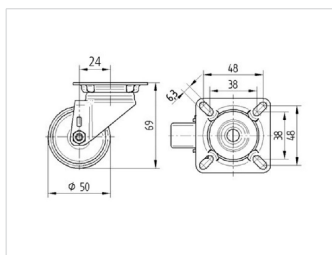
Technical Data

Wheel diameter	50 mm
Wheel width	19 mm
Castor width	43 mm
Size of Plate	60 x 60 mm
Plate hole centres	48/38 x 48/38 mm
Plate hole	6,3 mm
Offset	24 mm
Swivel Interference	98 mm
Overall height	69 mm
Temperature	- 20 / + 60 °C
Standard	EN_12530
Weight	0.17 kg
Swivel Radius	49 mm
Hardness of tread	Shore A 87
Load capacity	40 kg
Load capacity (static)	80 kg

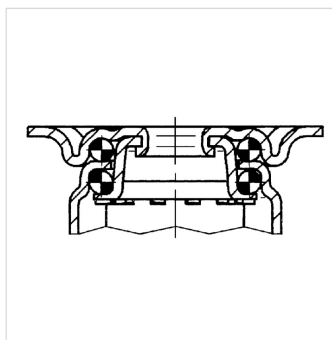
Advantages at a glance

Roll performance	● ● ● ○ ○
Movement noise	● ● ● ○ ○
Attrition	● ● ● ○ ○
Corrosion resistance	● ● ● ○ ○

Dimensions



Structure & Mounting



PRODUCT INFORMATION

AGILA

2470PJ1050P40 screwed

EAN 4031582010053



Structure & Mounting

