

SFL Brick, Electrical socket UK (3x), USB A 2A (2x), Kabel 2 m, Edelstahl



Parameter

Farbe	Schwarz
Marke	SFL
Socketyp	Französisch Type E
230 V Ausgänge	3
Andere Ausgänge	USB A
Hersteller Produktbezeichnung	A9506
Katalog Seite	13.67
Menge im Karton	10

Produktbeschreibung

Steckdose mit Ladegerät USB A (2x). Netzkabel 2 m mit Stecker.

Ähnliche Artikel

Riex ED12 Anbau-Steckdosenelement UK (4x), USB A+USB C Schnellader, Kabel 2 m, Schwarz
F004867



Anleitung

IROSAN

www.sfl.fr



Installation instructions - Please keep safe
Conserver les instructions de montage s'il vous plait
Montageanleitung - Bitte aufbewahren
Si prega di conservare le istruzioni di montaggio
Por favor conserve las instrucciones para el montaje



BRICK UK_manual_220203

To safely make an electrical connection (article 2 D.B.T.) : **Be sure to turn off the power of the housing.**

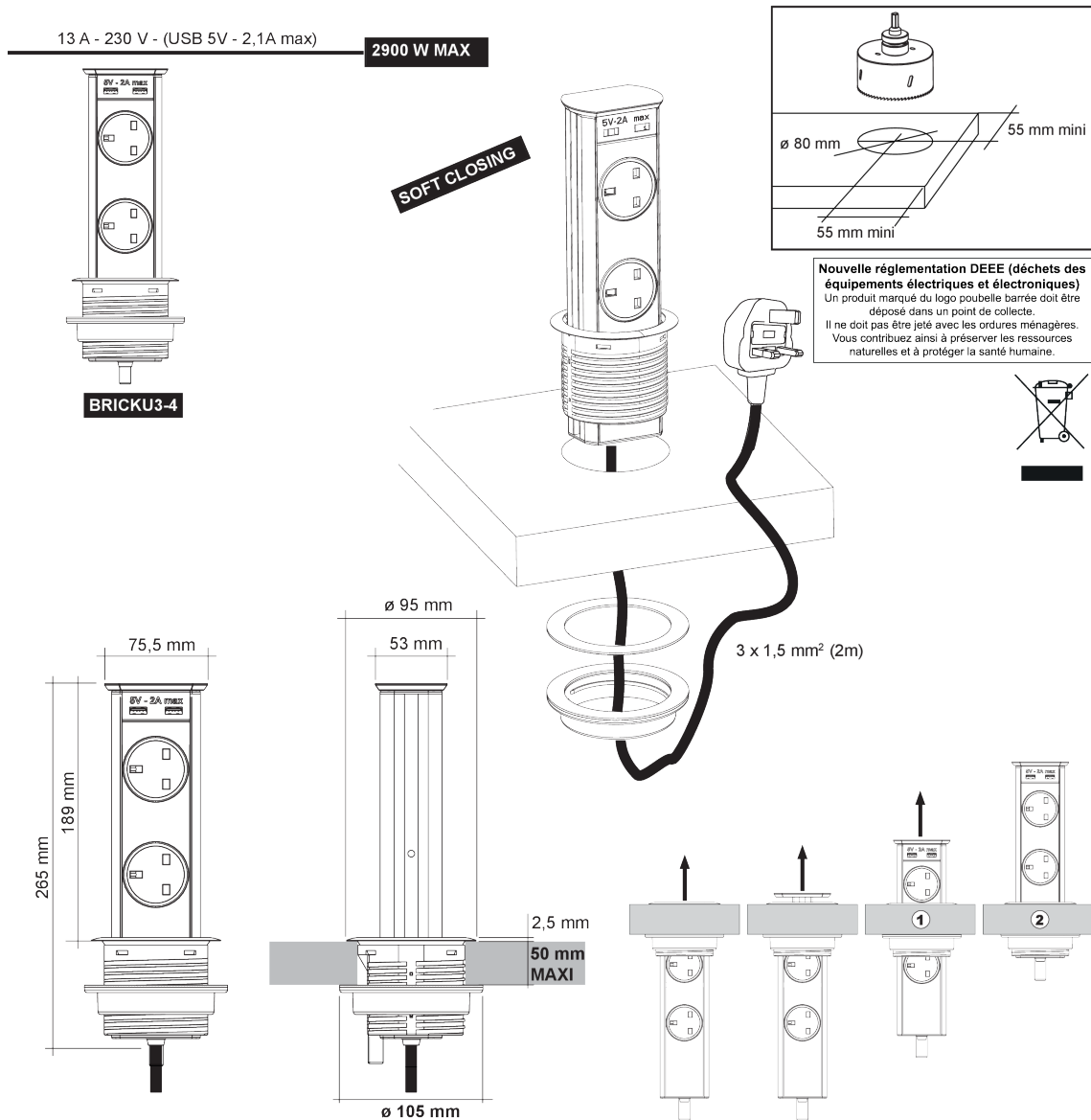


Pour effectuer un raccordement électrique en toute sécurité : **Veillez à couper l'alimentation générale de l'habitation.**

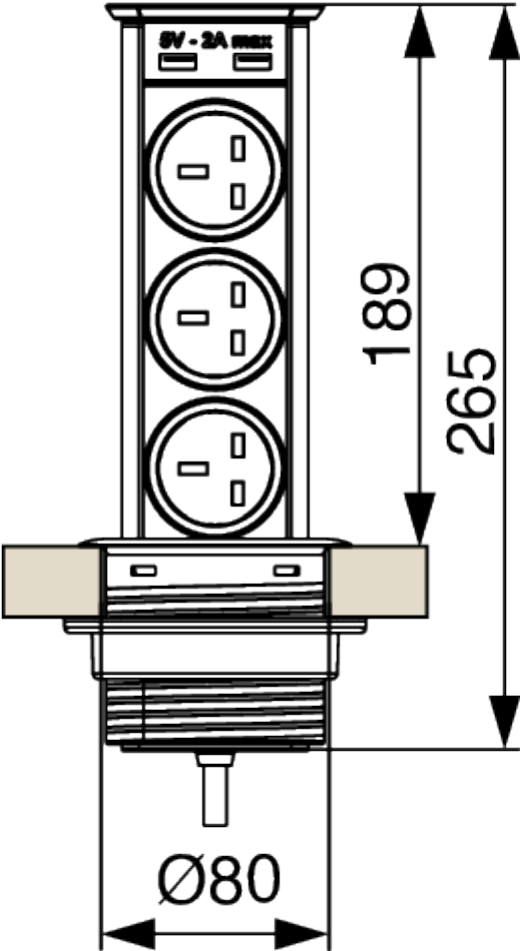
Alle Montagearbeiten im spannungslosen Zustand durchführen. **Es sind die jeweiligen gültigen VDE Richtlinien zu beachten.**

Per effettuare la connessione elettrica dell'apparecchio in modo sicuro, **assicurarsi di spegnere l'alimentazione principale.**

Para hacer una conexión eléctrica segura, **asegurese de apagar la alimentación principal.**



2D-Zeichnung



Konformitätserklärung

UE DECLARATION OF CONFORMITY



SFL (Société de Fabrication de Luminares)
Technoparc EPSILON
65 rue Isaac Newton
83700 Saint Raphaël

declare that **A9506** (ref : BRICKU3-4) built-in 3 sockets class I IP20 230V 50Hz 16A,
3600W max and 2 USB socket 5V – 2A max

comply with the provisions of the European Communities Council Directives including
the latest amendments and last harmonized standards:

- 1) **Electrical safety :**
Directive 2014/35/UE of February 26th 2014
IEC 60884-1 : 2002 + A1 : 2006 + A2 : 2013
BS 1363-2 : 2016 + A1 : 2018
- 2) **Electromagnetic compatibility :**
Directive 2014/30/UE of February 26th 2014
EN 61000-3-2 : 2014
EN 61000-3-3 : 2013
- 3) **RoHS :**
Directive 2011/65/UE of October 4th 2011
EN 62321 : 2009
EN 50581 : 2013
- 4) **Electrical and Electronic Equipment wastes :**
Directive 2012/19/UE of July 4th 2012
- 5) **Eco conception :**
Directive 2009/125/UE of October 23rd 2009
- 6) **Environmental display:**
Regulation 1369/2017/UE of July 4th 2017
Regulation 2019/2015/UE of March 11th 2019

Made at Saint Raphaël on: 2023.04.19

Stéphane VERON
CEO

P.O.

DE031 - 13/12/2012 - R : 3

WEEE Policy Document



WEEE Registration

Hranipex Ltd complies with WEEE (Waste electricals and electronic equipment) regulations 2006.

We are registered directly under this scheme (Registration number: WEE/AX4945YF).

All Items subject to these regulations are appropriately marked.

We are constantly reviewing our WEEE obligations to ensure we comply with regulations.

Hranipex Ltd
Unit 2, Radial Park
Solihull Parkway
Birmingham Business Park
Birmingham, B37 7YN
United Kingdom

T +44 121 767 91 80
E uk-hranipex@hranipex.com
W www.hranipex.co.uk
CN: 07754143, VAT: 120037966
EORI: GB120037966000/

Citi Bank, Sort code: 18-50-08
Swift/BIC: CITIGB2L
GBP Acc. no.: 17882769
IBAN: GB58CIT118500817882769

Citi Bank, Bank code: 2600
Swift/BIC: CITICZPX
EUR Acc. no.: 2530440301
IBAN: CZ562600000002530440301