

## Riex NB75 Kugelauszug, Vollauszug, 120 kg/100 kg, H57, 2.0\*2.0\*2.2 mm, 1000 mm



### Parameter

Marke	Riex
Länge	1000 mm
Mechanismus	Ohne Mechanismus
Tragfähigkeit	120 kg
Schienenstärke	2,0*2,0*2,2 mm
Höhe	57 mm
Menge im Karton	4
Katalog Seite	1.65

### Produktbeschreibung

Riex NB75 Ball Bearing Slide, Full Extension, 120 kg, H57 The Riex NB75 ball-bearing slides are engineered for heavy-duty use, providing unmatched strength and stability for large, weight-intensive drawers. Built for maximum efficiency, these slides offer full-extension functionality to ensure easy access to drawer contents. Key Features: Heavy-Duty Performance: Supports loads from 90 kg to 120 kg based on length. Full-Extension Capability: Enables complete access to the drawer's contents. Durable Build: Constructed with 2.0 x 2.0 x 2.2 mm thick materials for enhanced longevity. Easy Installation: Features a detachable profile for seamless mounting and reassembly. Sleek Finish: Nickel-coated surface for a polished, professional look. Choose Riex NB75 for demanding environments where strength, durability, and functionality are paramount. Perfect for industrial or commercial drawer systems requiring heavy-duty support.

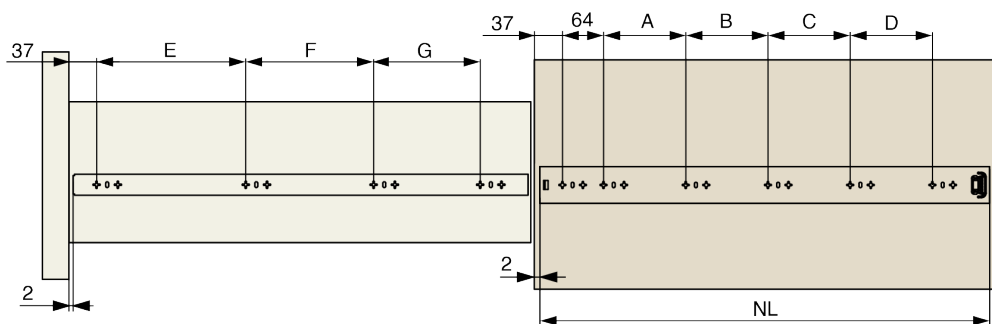
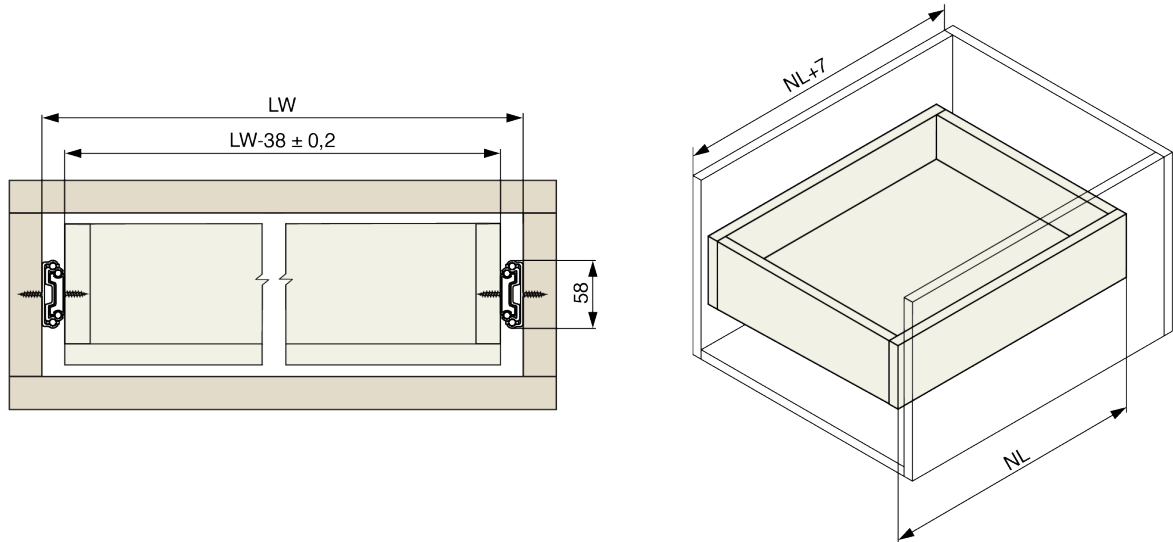
### Zubehör

#### Riex Slides Bohrschablone + Stanze

F011442



## 2D-Zeichnung



NL [mm]	A [mm]	B [mm]	C [mm]	D [mm]	E [mm]	F [mm]	G [mm]
800	128	192	160	128	224	256	192
900	128	256	160	160	224	288	256
1000	160	288	160	192	256	320	288
1200	160	288	256	256	256	352	384