

## Riex GW22 Möbelfuß aus Holz, Konisch schräg, D45/D25, H150, Buche unlackiert (4 Stk), F100%



### Parameter

Marke	Riex
Höhe	150 mm
Richtigstellung	Nein
Katalog Seite	5.36
Farbe	Buche natur
Tragfähigkeit	500 kg
Versteinerung FSC	Ja

### Produktbeschreibung

Riex GW22 Furniture Leg, Conical Inclined, D45/D25 Enhance your furniture with the sleek and durable Riex GW22 inclined furniture legs. Made from FSC-certified and from various types of wood, with options for natural or lacquered finishes. Their inclined conical design adds a unique aesthetic touch while providing strong support. They are designed to hold up to 500 kg, ensuring long-lasting stability. Perfect for both modern and classic interiors, these legs bring functionality and style together. Key Features: Offered in various heights, to suit various furniture applications. Crafted from FSC-certified wood. Choice of natural or lacquered finishes to match different interior styles. Designed to support up to 500 kg, providing exceptional stability. Unique inclined conical shape for a modern and sophisticated look.

### Zubehör

#### RiexTouch XT01 Knopf, Buche natur unlackiert, F100%

F004941



#### RiexTouch XT02 Knopf, Buche natur unlackiert, F100%

F004947



#### RiexTouch XT03 Knopf, Buche natur unlackiert, F100%

F004953



#### RiexTouch XT04 Knopf, Buche natur unlackiert, F100%

F004959



**RiexTouch XT05 Knopf, Buche natur unlackiert, F100%**  
F004965



**RiexTouch XT06 Knopf, Buche natur unlackiert, F100%**  
F004968



## Ähnliche Artikel

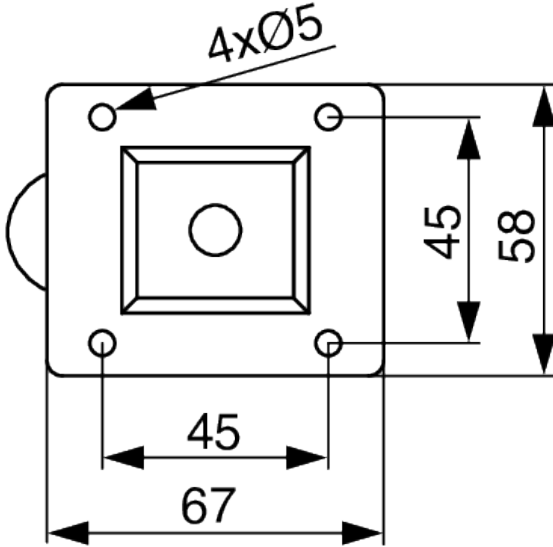
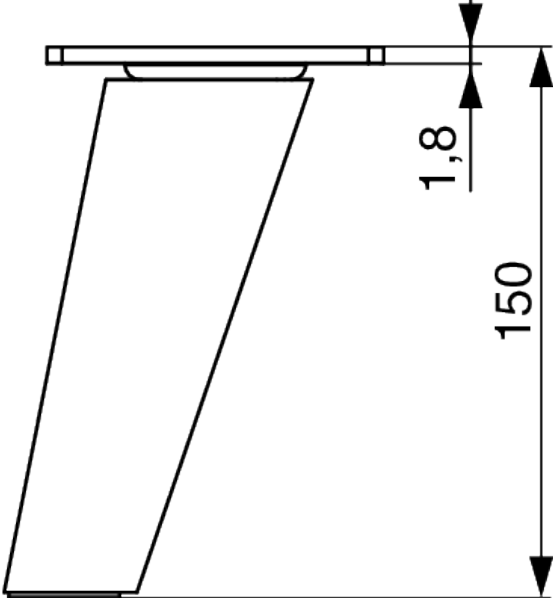
**Riex GW20 Möbelfuß aus Holz, Konisch gerade, D45/D25, H150 Buche unlackiert (4 Stk), F100%**  
F014848



**Riex GW25 Möbelfuß aus Holz, Quadratisch, 45x45 mm, H150, Buche unlackiert (4 Stk), F100%**  
F014863



2D-Zeichnung



## Riex GW20/GW22/GW25 wooden legs

Unlacquered					
Height (mm)	Leg shape	Wood type	Old version		New version with FSC certification
100	Conical straight	Pine	F004990	→	F014843
		Beech	F004991	→	F014844
		Oak	F004992	→	F014845
	Conical inclined	Pine	F005002	→	F014851
		Beech	F005003	→	F014852
		Oak	F005004	→	F014853
	Square	Pine	F005014	→	F014859
		Beech	F005015	→	F014860
		Oak	F005016	→	F014861
150	Conical straight	Pine	F004996	→	F014847
		Beech	F004997	→	F014848
		Oak	F004998	→	F014849
	Conical inclined	Pine	F005008	→	F014855
		Beech	F005009	→	F014856
		Oak	F005010	→	F014857
	Square	Pine	F005020	→	F014862
		Beech	F005021	→	F014863
		Oak	F005022	→	F014864

Lacquered					
Height (mm)	Leg shape	Wood type	Old version		New version with FSC certification
100	Conical straight	Oak	F004995	→	F014846
			F005001	→	F014850
150	Conical inclined		F005007	→	F014854
			F005013	→	F014858