

Riex EC42 Drahtlose Kontrolleinheit 6 Ausgänge 12/24 V, 90 W



Parameter

Marke	Riex
Strom	90 W
Spannung	12 / 24
Sensortyp	Fernbedienung
Garantie (Jahre)	5
Katalog Seite	13.44
Menge im Karton	300
Dimmfunktion	Ja

Produktbeschreibung

Steuergerät für die Funkschalter Riex EC39 und EC38. Dimmfunktion. Ein Controller kann von bis zu 4 Sensoren gesteuert werden. Ausgang mit 6 MINI-Buchsen, Eingangskabel 0'2 m mit MINI-Steckern für schnelle Installation. Doppelte Eingangskabel müssen an denselben Treiber mit einer Leistung über 60 W angeschlossen werden.

Zubehör

Riex EC92 Verlängerungskabel 12/24 V, 1,8 m, MINI Verbinder

F003543



Riex EC91 DC Verteiler 6 Ausgänge 12/24 V, 1,8 m, MINI Verbinder

F003542



Komponenten

Riex EC39 Drahtloser Sensor Montage versenkt + aufbau, Schwarz

F003535



Riex EC38 Drahtloser Berührungsschalter Montage versenkt + aufbau, Schwarz

F003534



Riex EL27 LED Netzgerät 24 V, 30 W, 6 MINI-Buchsen, 5 Jahre Garantie

F004351



Riex EL55 LED Band 24 V, 12 W/m, 128 Dioden/m, Warmweiß, CRI90, 5 Jahre Garantie, 5 m

F004693



Ähnliche Artikel

Riex EC41 Drahtlose Kontrolleinheit 12/24 V, 60 W

F003537

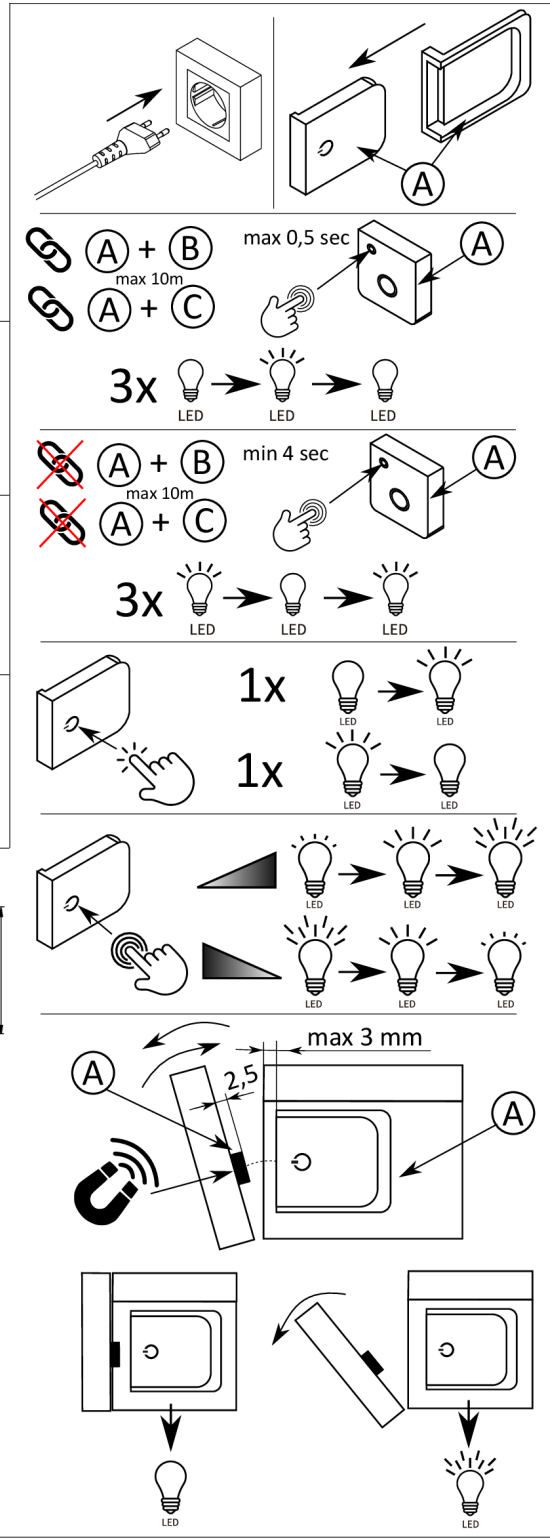
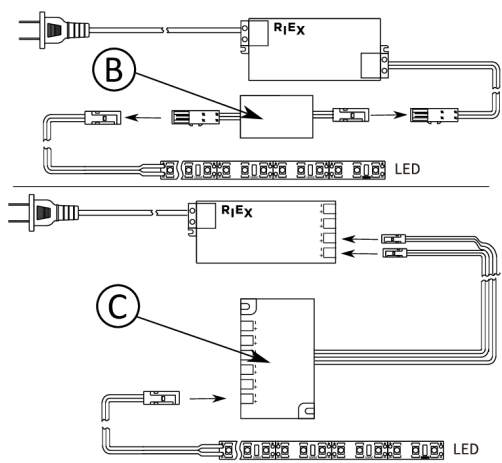
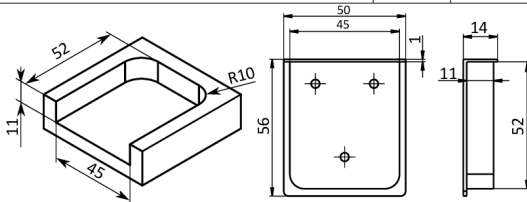


Anleitung

R₁Ex

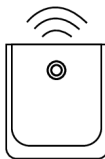
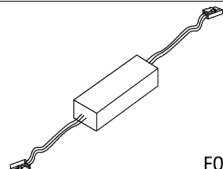
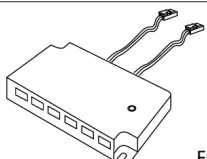


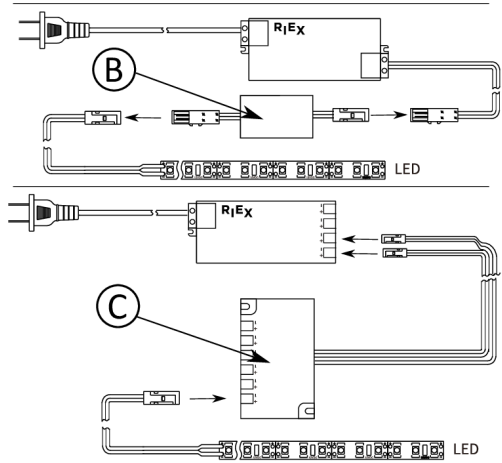
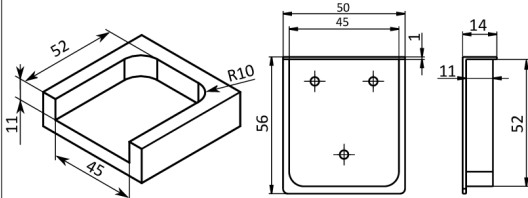
	A	1x
max 60W F003537	B	1x
max 90W F003538	C	1x



R₁Ex



	A	1x
max 60W  F003537	B	1x
max 90W  F003538	C	1x

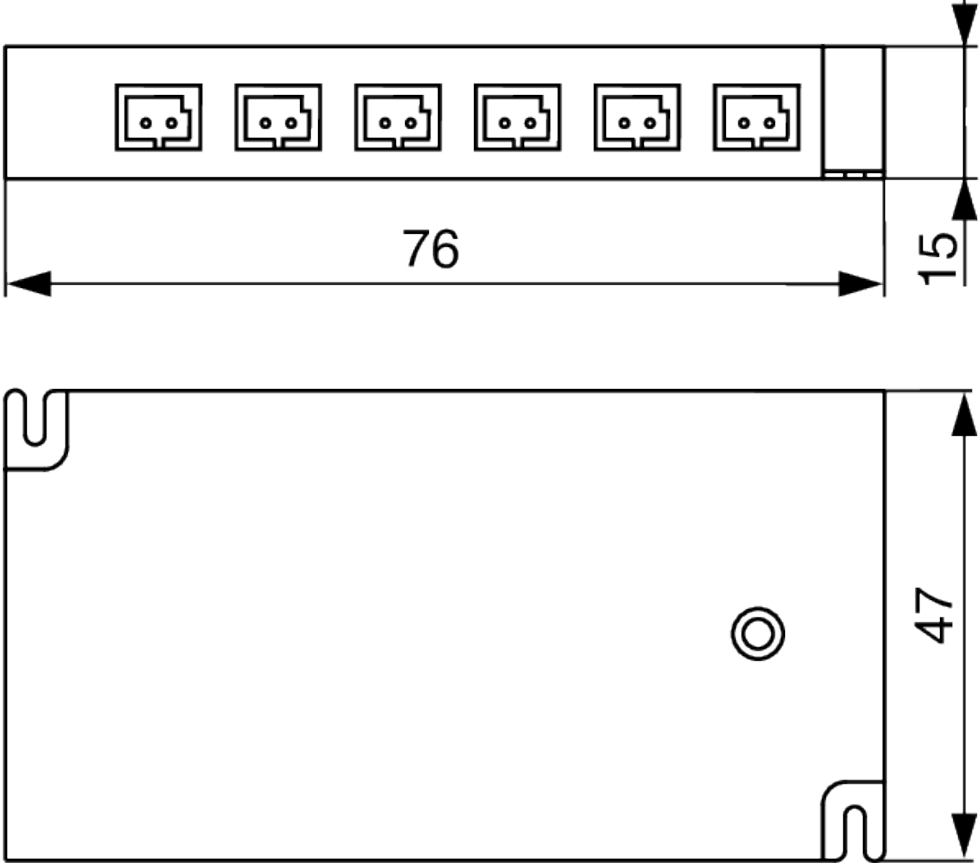


Installation diagrams showing the R₁Ex device being inserted into the mounting bracket (A).

Operation diagrams showing the R₁Ex device (A) controlling LED strips (C) via a hand gesture. Conditions include:

- max 0,5 sec (A + B) max 10m
- min 4 sec (A + B) max 10m
- max 3 m range
- +30 sec delay

2D-Zeichnung



Konformitätserklärung

Hranipex

Validity from 29.4.2026



EU DECLARATION OF CONFORMITY

This Declaration of conformity is issued under the sole responsibility of distributor.

1. Manufacturer or his authorized representative

HRANIPEX Czech Republic k.s.
Jaroslavy Rýznerové 97
396 01 Komorovice
Czech Republic

2. Trade mark

RIEX

3. Product

Switches, sensors, controllers Riex

EC28, EC30, EC31, EC32, EC33, EC34, EC35, EC36, EC37, EC38, EC39,
EC41, EC42, EC44, EC45, EC51, EC54, EC52

4. The object of the declaration described above is in conformity with the relevant Union harmonisation legislation

ROHS Directive 2011/65/EU, (EU) 2015/863
EMC Directive 2014/30/EU
ErP Directive 2009/125/EC
LVD Directive 2014/35/EU

5. Related technical directives and standarts

EN IEC 55015:2019, EN 61547:2009, EN IEC 61000-3-2:2019, EN 61000-3-3:2013+A1:2019,
IEC 61058-1:2018, EN 61058-1-2:2016, EN 61347-1:2015, EN 61347-2-11:2001+A1:2019,
IEC 62321-3-1:2013, IEC 62321-7-1:2015, IEC 62321-7-2:2017, IEC 62321-8:2017,

Signed: Pavel Grygar
Position: Product division director
Location: Komorovice, Czech Republic


HRANIPEX Czech Republic k.s.
J. Rýznerové 97, Komorovice
396 01 Humpolec
IČ: 26112361, DIČ: CZ26112361 **56**

HRANIPEX Czech Republic k.s.
Jaroslavy Rýznerové 97
396 01 Komorovice
Czech Republic

IN: 26112361
Vat Nr.: CZ26112361

Konformitätserklärung

Hranipex

Validity from 29.4.2026



UKCA DECLARATION OF CONFORMITY

In accordance with EN ISO17050-1:2010

This Declaration of conformity is issued under the sole responsibility of distributor.

1. Manufacturer or his authorized representative

HRANIPEX LIMITED
Birmingham Business Park
Unit 2 Radial Park Solihull Parkway
Birmingham B37 7YN

www.hranipex.co.uk/en/
0121 767 9180
uk-hranipex@hranipex.com

2. Trade mark

RIEX

3. Product

Switches, sensors, controllers Riex
EC31, EC32, EC33, EC34, EC35, EC36, EC37, EC38, EC39, EC41,
EC42, EC44, EC45, EC51, EC52, EC54

4. The object of the declaration described above is in conformity with the relevant Union harmonisation legislation

ROHS Directive 2011/65/EU, (EU) 2015/863
EMC Directive 2014/30/EU
ErP Directive 2009/125/EC
LVD Directive 2014/35/EU

5. Related technical directives and standards

EN IEC 55015:2019, EN 61547:2009, EN IEC 61000-3-2:2019, EN 61000-3-3:2013+A1:2019, IEC 61058-1:2018, EN 61058-1-2:2016, EN 61347-1:2015, EN 61347-2-11:2001+A1:2019, IEC 62321-3-1:2013, IEC 62321-7-1:2015, IEC 62321-7-2:2017, IEC 62321-8:2017

Signed: Pavel Grygar
Position: Product division director
Location: Komorovice, Czech Republic


HRANIPEX Czech Republic k.s.
J. Ryznerové 97, Komorovice
396 01 Humpolec
IČ: 26112361, DIČ: CZ26112361 **56**

HRANIPEX Czech Republic k.s.
Jaroslavy Ryznerové 97
396 01 Komorovice
Czech Republic

IN: 26112361
Vat Nr.: CZ26112361

WEEE Policy Document



WEEE Registration

Hranipex Ltd complies with WEEE (Waste electricals and electronic equipment) regulations 2006.

We are registered directly under this scheme (Registration number: WEE/AX4945YF).

All Items subject to these regulations are appropriately marked.

We are constantly reviewing our WEEE obligations to ensure we comply with regulations.

Hranipex Ltd
Unit 2, Radial Park
Solihull Parkway
Birmingham Business Park
Birmingham, B37 7YN
United Kingdom

T +44 121 767 91 80
E uk-hranipex@hranipex.com
W www.hranipex.co.uk
CN: 07754143, VAT: 120037966
EORI: GB120037966000/

Citi Bank, Sort code: 18-50-08
Swift/BIC: CITIGB2L
GBP Acc. no.: 17882769
IBAN: GB58CIT118500817882769

Citi Bank, Bank code: 2600
Swift/BIC: CITICZPX
EUR Acc. no.: 2530440301
IBAN: CZ562600000002530440301