

Kesse DISPENSA, Tablar ARENA pure, W400, Anthrazit



Parameter

| | |
|----------------------------------|----------------------------|
| Farbe | Anthrazit |
| Marke | Kesseböhmer (Kesseboehmer) |
| Katalog Seite | 10.15 |
| Korbart | ARENA pure |
| Korpusbreite | 400 mm |
| Hersteller Produktbezeichnung | 236466 9846 |

Produktbeschreibung

Kesse DISPENSA Baskets Upgrade your kitchen storage with versatile DISPENSA baskets, engineered for maximum utility and aesthetics. These baskets are available in multiple elegant finishes and sizes. They seamlessly integrate into the DISPENSA family, offering a practical solution for various organizational needs. For added flexibility, a single DISPENSA basket can be replaced with two COMFORT II baskets, ensuring customization to suit your preferences. Designed with premium quality, these baskets enhance accessibility and visual appeal in any kitchen. Key Features: Flexible design allows one basket to be replaced by two COMFORT II baskets. Fully compatible with the DISPENSA system and Youboxx sets for extended functionality. Frame sold separately for complete system integration. Designed by Kesseböhmer for top-notch durability and innovative storage solutions.

Zubehör

Kesse DISPENSA, Rahmen, H900-1300, Anthrazit
F005302



Kesse DISPENSA, Fronthalter Set, W400, Anthrazit
F005329



Komponenten

Kesse DISPENSA, Rahmen, H1900-2300, Anthrazit
F005310



Kesse DISPENSA, Rahmen, H1200-1600, Anthrazit
F005304



Kesse DISPENSA, Rahmen, H1600-2000, Anthrazit
F005306



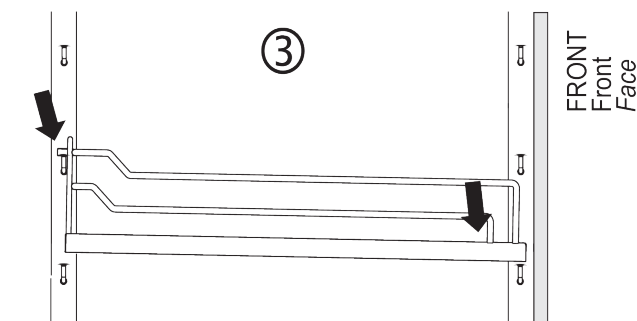
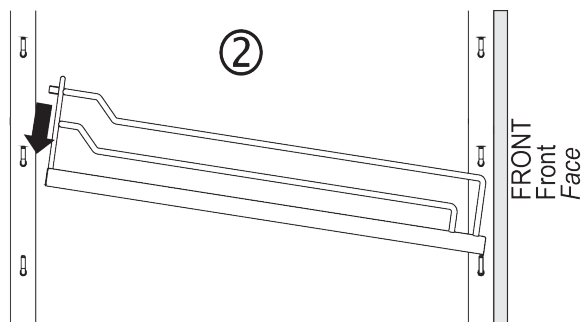
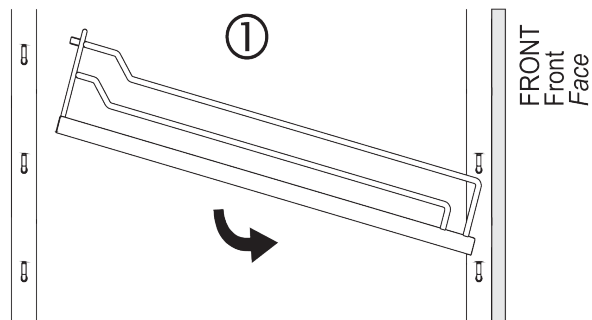
Kesse DISPENSA, Rahmen, H1800-2200, Anthrazit
F005308



Anleitung

Montageanleitung ARENA-Einhängetablar Mounting instructions ARENA-clip-on shelf Instructions d'assemblage ARENA-tableau

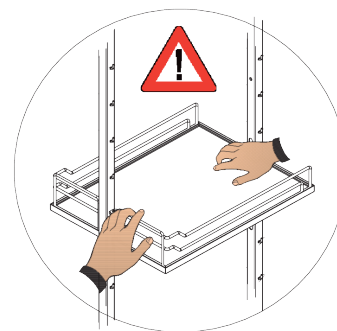
A. Montage Mounting Assemblage



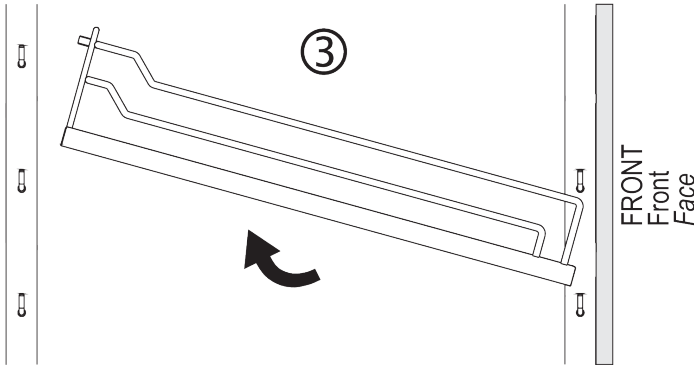
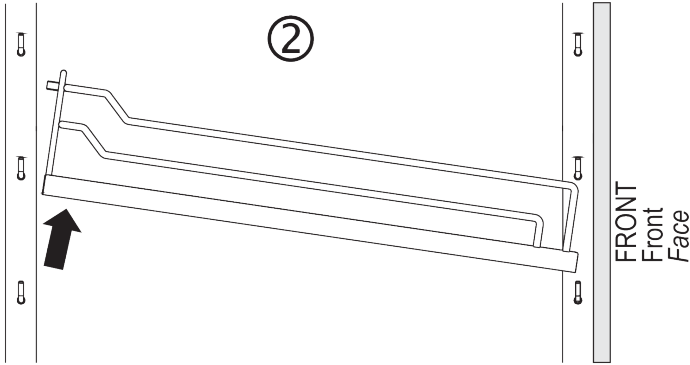
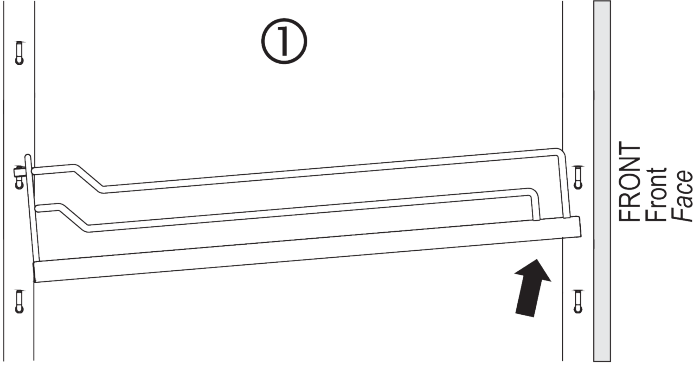
bei der Tablar montage
nur mittig auf Holzplatte
und im hinteren Bereich der Reling drücken

onDuring assembling the shelves,
please do only push
in the middle of the panel
and only in the rail in the back

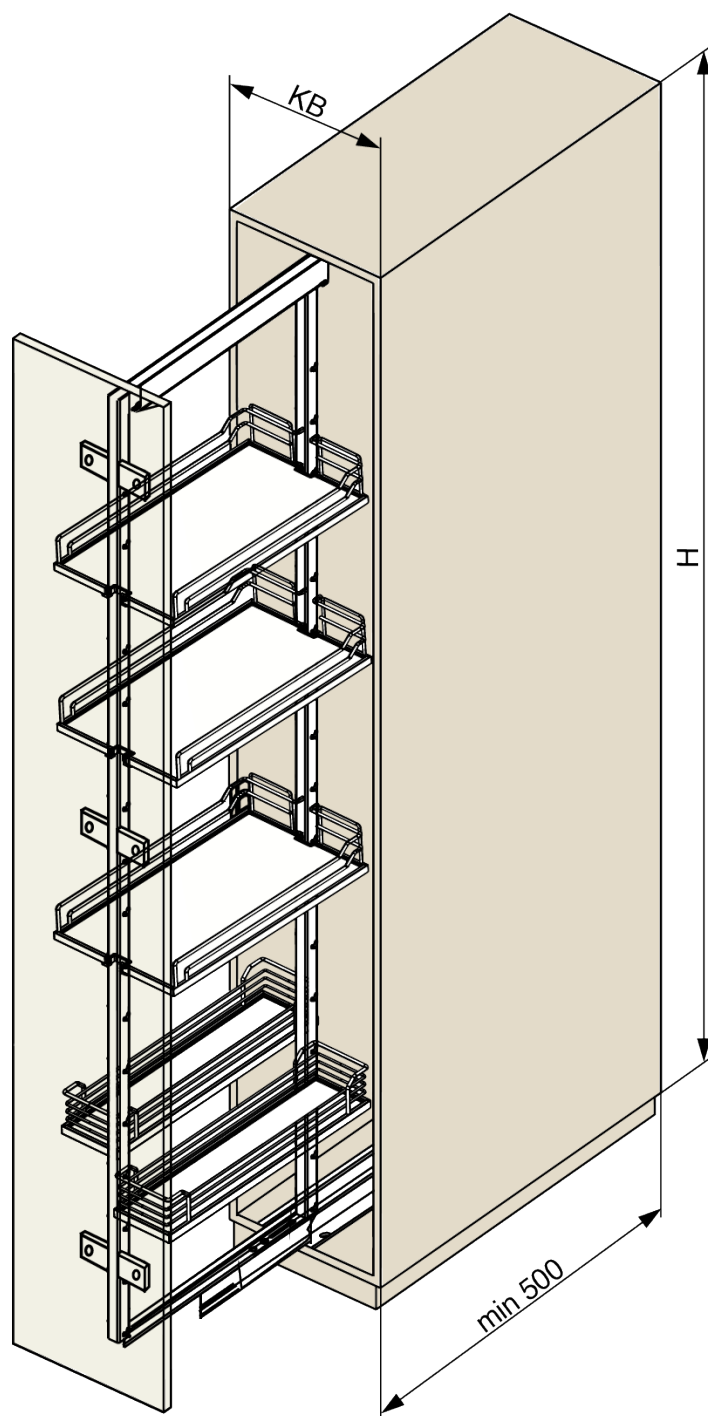
Lors du montage du tableau,
poussez le centre du plateau bois
et la partie derrière de la galerie.



B. Demontage
Dismounting
Démontage



2D-Zeichnung



| KB |
|-----|
| 150 |
| 200 |
| 250 |
| 300 |
| 400 |
| 450 |
| 500 |
| 600 |

| H |
|-----------|
| 900-1300 |
| 1200-1600 |
| 1600-2000 |
| 1800-2200 |
| 1900-2300 |